



# EQUUS MATACRYL PEDESTRIAN DECK SYSTEM

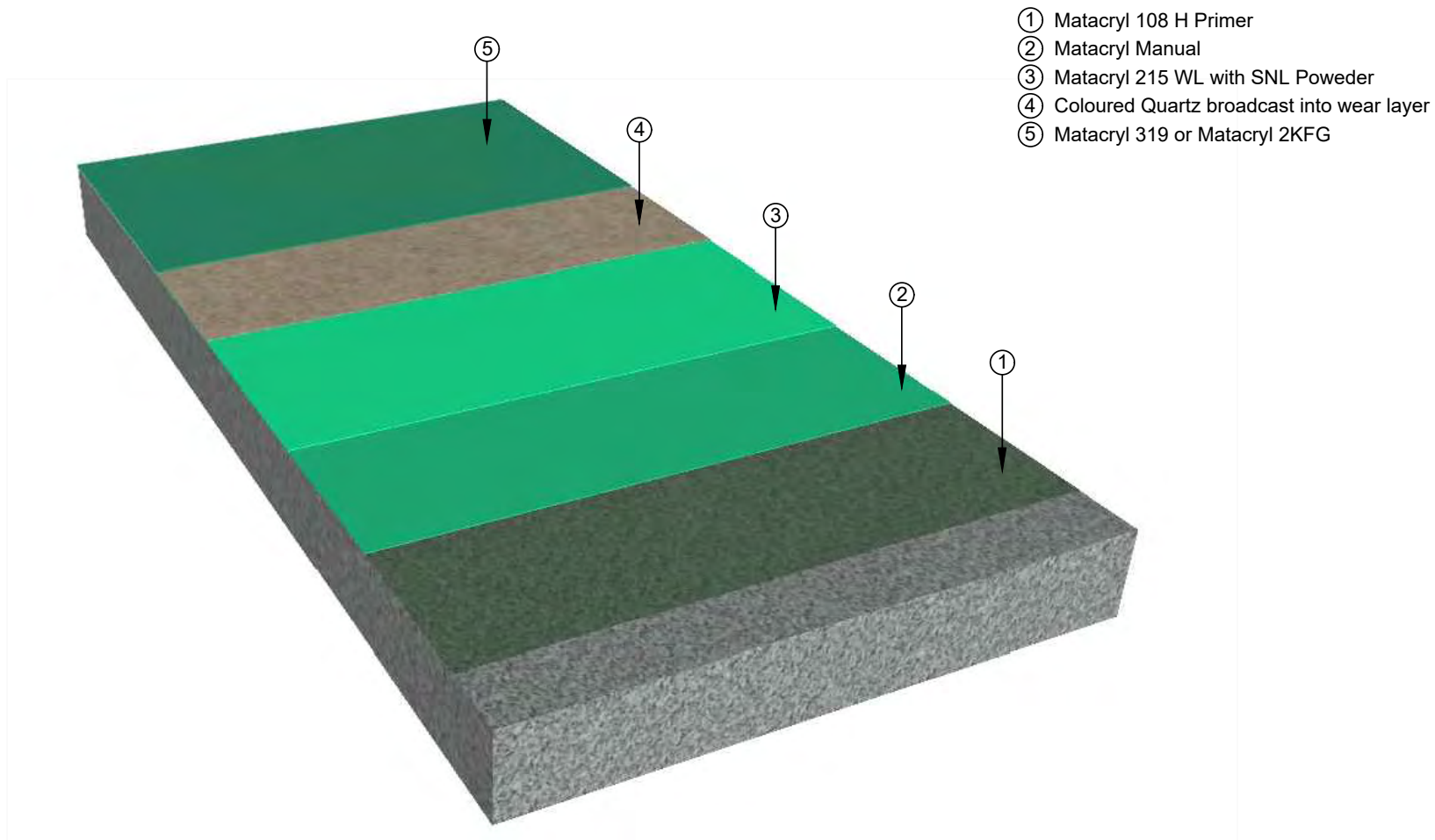
Standard Details



NOVEMBER 2024

## CONTENTS

EMC-D1a	Build Up	1
EMC-D4	Termination	2
EMC-D5	Drain	3
EMC-D6	Light Post	4
EMC-D7	Top Fix Rail	5
EMC-D8	Crack Addressing	6
EMC-D9	Stair Lift Shaft	7
EMC-D11	Door Threshold	8



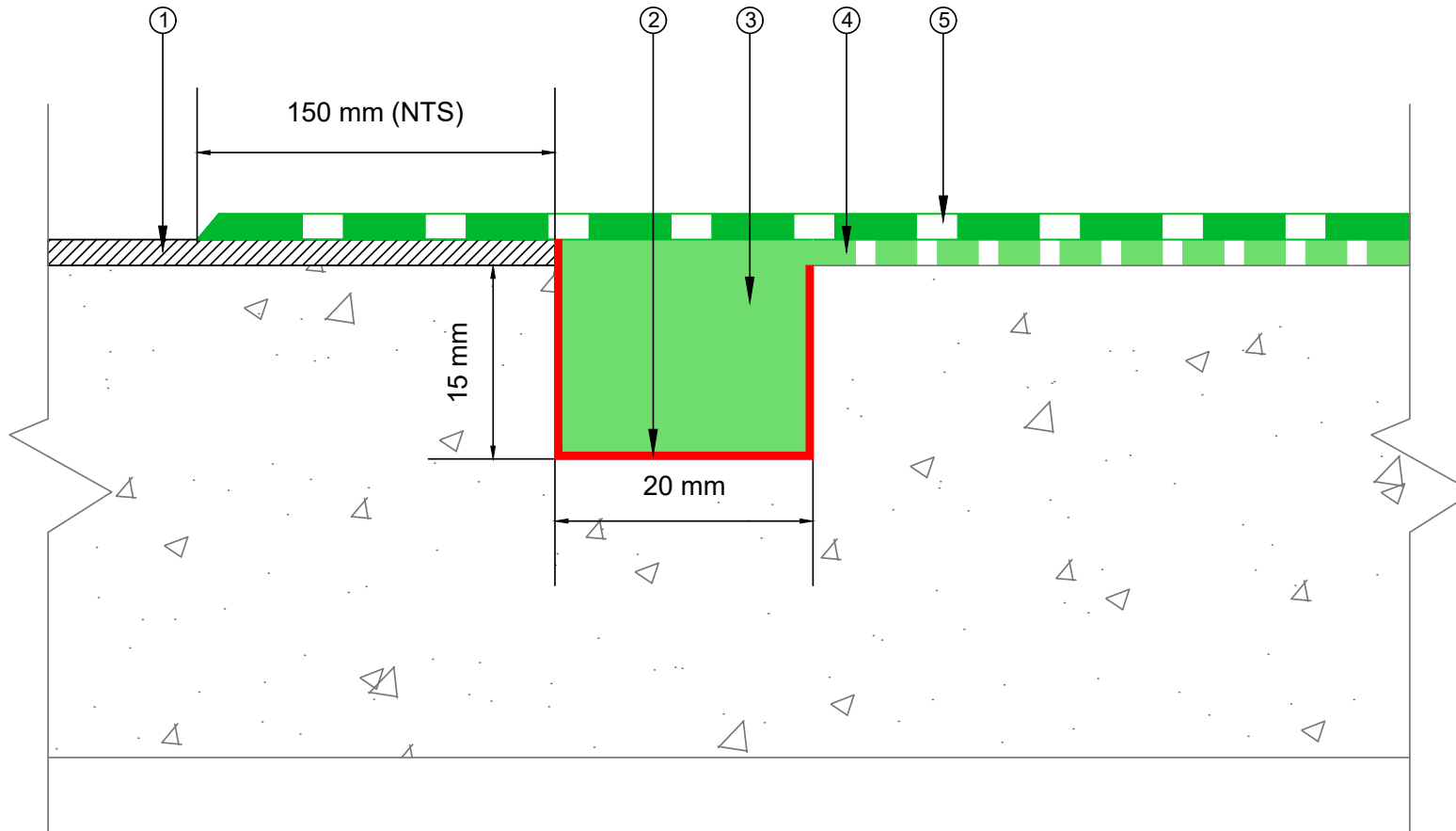
- ① Matacryl 108 H Primer
- ② Matacryl Manual
- ③ Matacryl 215 WL with SNL Powder
- ④ Coloured Quartz broadcast into wear layer
- ⑤ Matacryl 319 or Matacryl 2KFG



SYSTEM :	Matacryl Waterproofing System on Concrete Substrate		
TITLE :	Matacryl Pedestrian Deck Waterproofing Build Up		
NUMBER :	EMC-D1a	SCALE :	NTS
DRAWN BY :	NKT	DATE :	09-SEP-2024
		REVISED :	

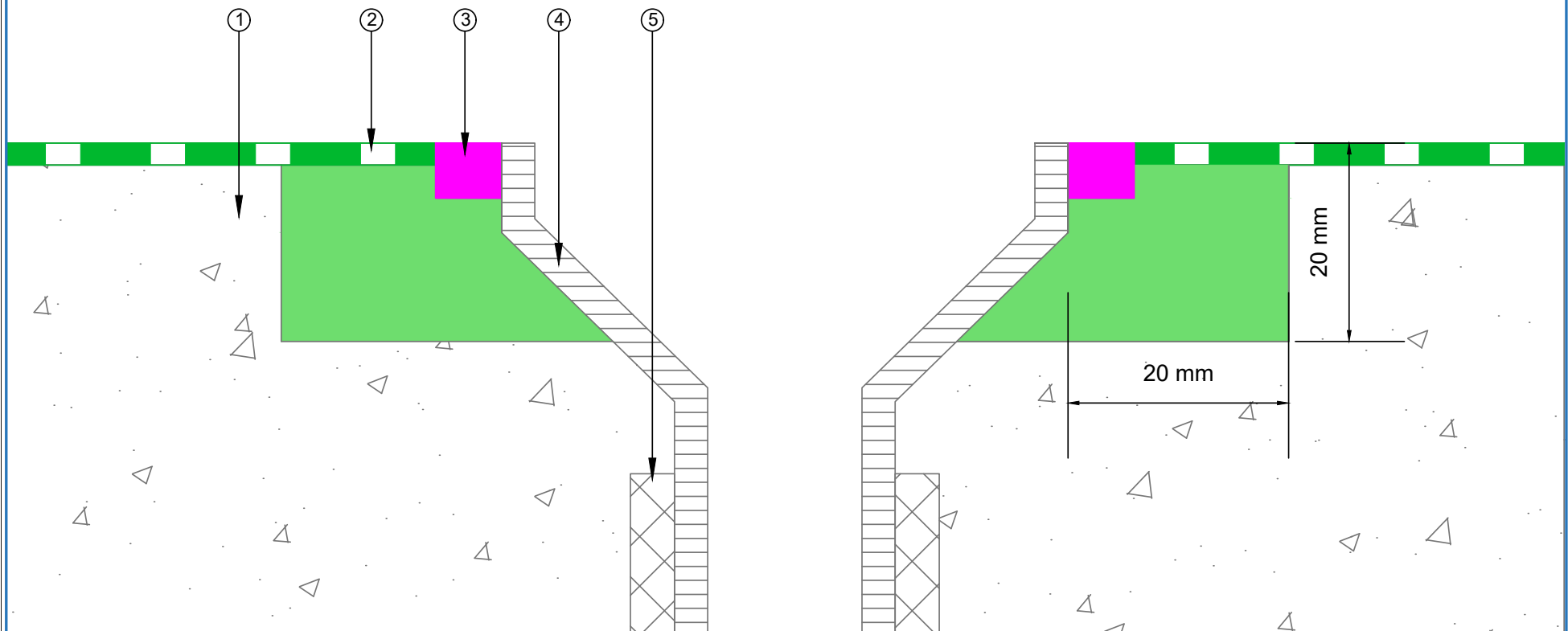
Equus standard details are especially drawn for use by Local Authorities, Building Contractors, Equus Applicators, Architects and design professionals. All details are drawn to assist in the development of project-specific details. Details may be modified where necessary to accommodate job-specific requirements but must be approved by Equus Industries Ltd. All components must be supplied by Equus Industries Ltd. Equus reserves the right to alter or upgrade details at any time without prior notice.

- ① Old Membrane
- ② 108 Primer
- ③ Saw cut filled with Maticryl manual after priming
- ④ Detail Coat of Maticryl Manual
- ⑤ Maticryl System

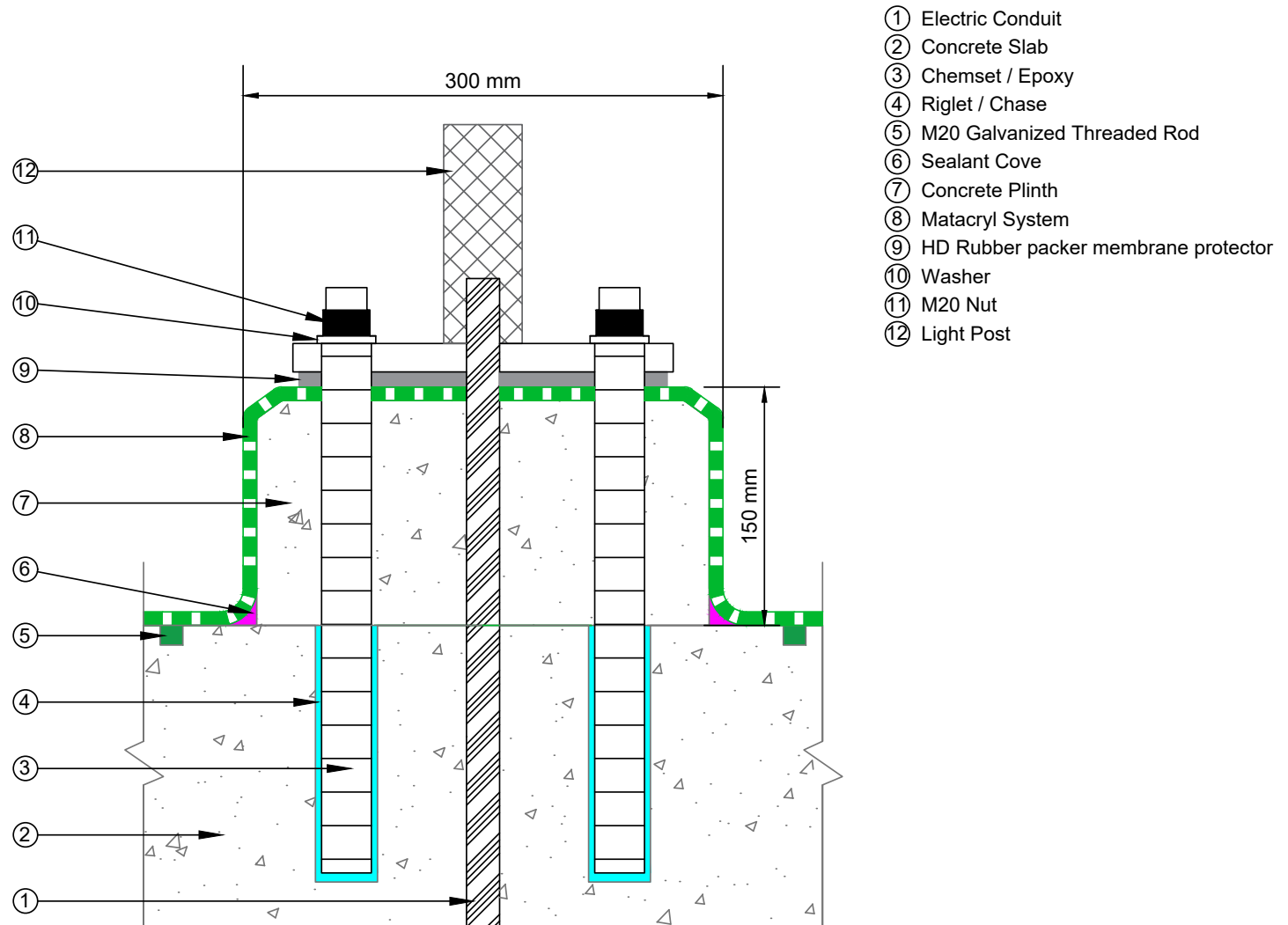


PRODUCT :	Matacryl Waterproofing System on Concrete Substrate		
TITLE :	Termination detail - Deck System		
NUMBER :	EMC-D4	SCALE :	NTS
DRAWN BY :	NKT	DATE :	09-SEP-2024
		REVISED :	
<p>Equus standard details are especially drawn for use by Local Authorities, Building Contractors, Equus Applicators, Architects and design professionals. All details are drawn to assist in the development of project-specific details. Details may be modified where necessary to accommodate job-specific requirements but must be approved by Equus Industries Ltd. All components must be supplied by Equus Industries Ltd. Equus reserves the right to alter or upgrade details at any time without prior notice.</p>			

- ① Concrete Slab
- ② Matacryl System
- ③ Matacryl LM Sealant 8 mm wide x 6 mm deep
- ④ O Drain
- ⑤ Drain Pipe

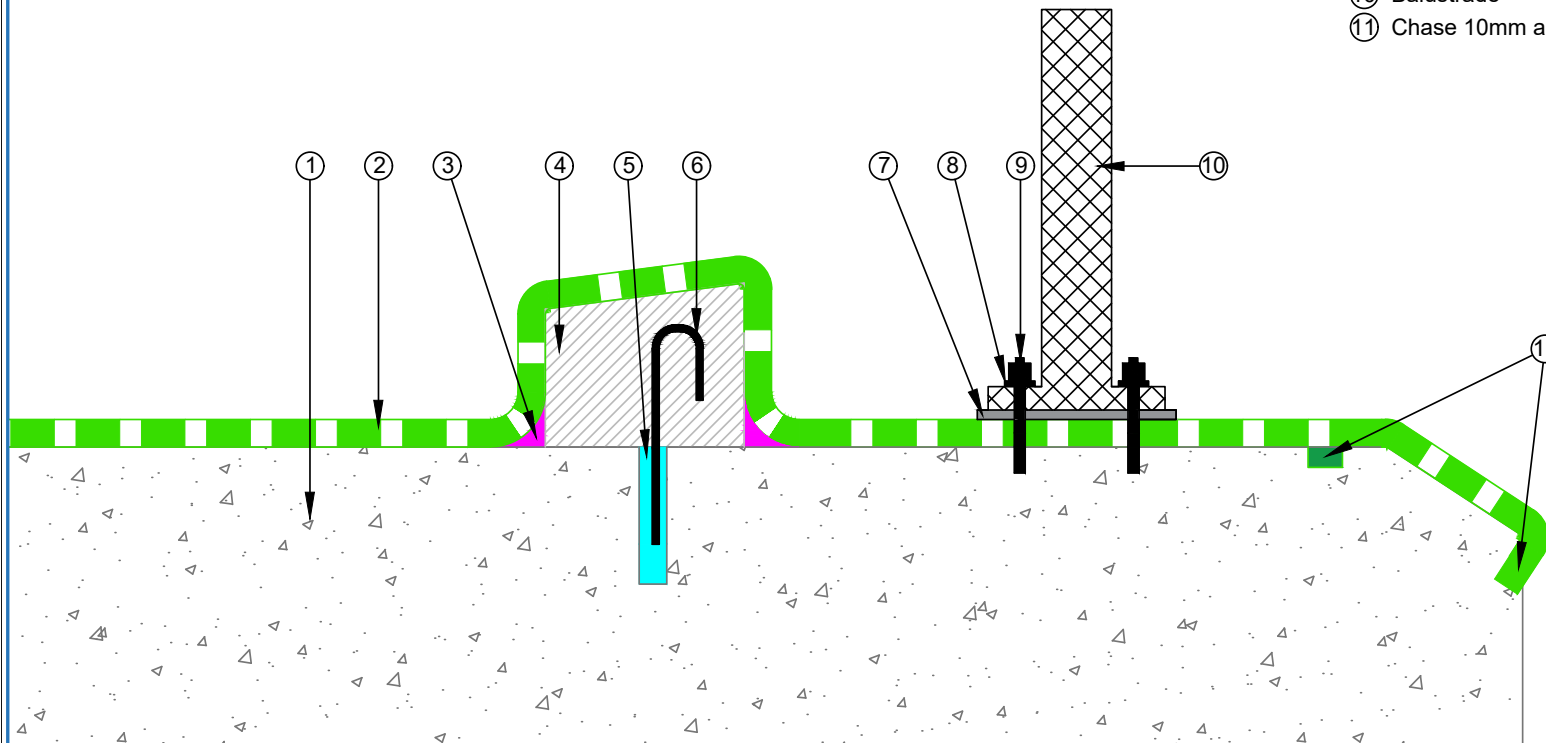



PRODUCT :	Matacryl Waterproofing System on Concrete Substrate		
TITLE :	Drain detail		
NUMBER :	EMC-D5	SCALE :	NTS
DRAWN BY :	NKT	DATE :	09-SEP-2024
Equus standard details are especially drawn for use by Local Authorities, Building Contractors, Equus Applicators, Architects and design professionals. All details are drawn to assist in the development of project-specific details. Details may be modified where necessary to accommodate job-specific requirements but must be approved by Equus Industries Ltd. All components must be supplied by Equus Industries Ltd. Equus reserves the right to alter or upgrade details at any time without prior notice.			



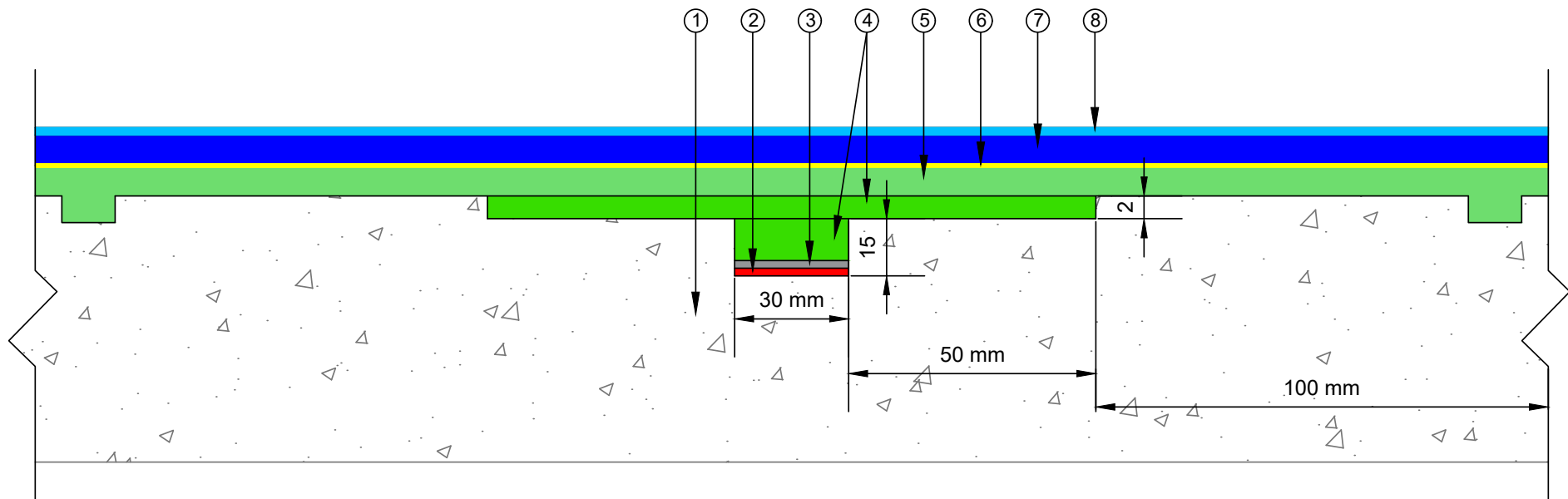
PRODUCT :	Matacryl Waterproofing System on Concrete Substrate		
TITLE :	Light Post Detail		
NUMBER :	EMC-D6	SCALE :	NTS
DRAWN BY :	NKT	DATE :	09-SEP-2024
REVISI		REVISED :	
<p>Equus standard details are especially drawn for use by Local Authorities, Building Contractors, Equus Applicators, Architects and design professionals. All details are drawn to assist in the development of project-specific details. Details may be modified where necessary to accommodate job-specific requirements but must be approved by Equus Industries Ltd. All components must be supplied by Equus Industries Ltd. Equus reserves the right to alter or upgrade details at any time without prior notice.</p>			

- ① Concrete Slab
- ② Matacryn System
- ③ Sealant Cove
- ④ Kerb
- ⑤ Sealant Cove
- ⑥ DH12
- ⑦ HD Rubber Pad, Membrane Plate
- ⑧ Washer
- ⑨ M20 Nut
- ⑩ Balustrade
- ⑪ Chase 10mm and filled With Matacryn Membrane



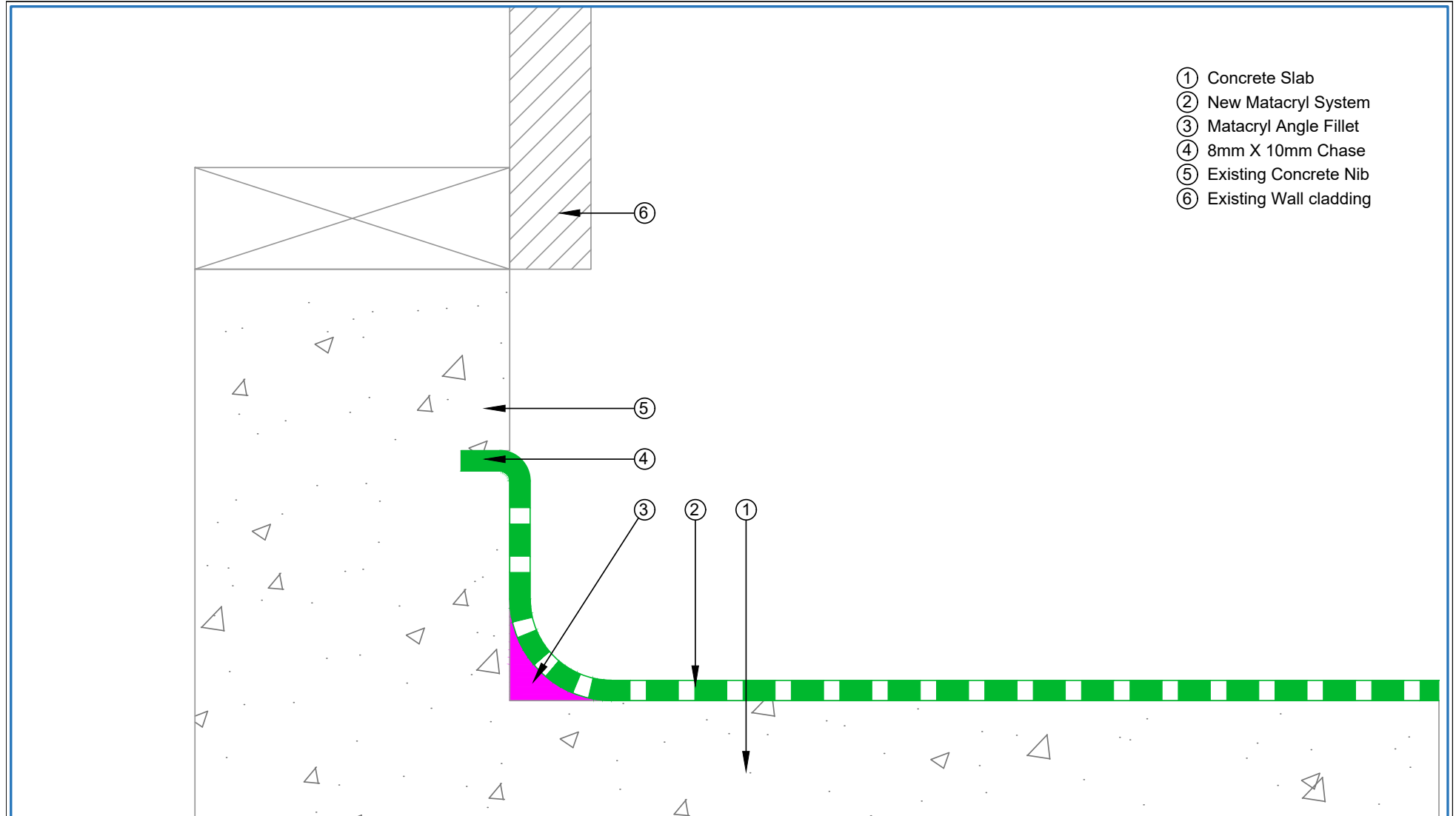
 E-mail : <a href="mailto:info@equus.nz">info@equus.nz</a> Web : <a href="http://www.equus.nz">www.equus.nz</a>	PRODUCT :	Matacryn Waterproofing System on Concrete Substrate		
	TITLE :	Top fix rail detail		
	NUMBER :	EMC-D7	SCALE :	NTS
	DRAWN BY :	NKT	DATE :	09-SEP-2024
	REVISED :			
Equus standard details are especially drawn for use by Local Authorities, Building Contractors, Equus Applicators, Architects and design professionals. All details are drawn to assist in the development of project-specific details. Details may be modified where necessary to accommodate job-specific requirements but must be approved by Equus Industries Ltd. All components must be supplied by Equus Industries Ltd. Equus reserves the right to alter or upgrade details at any time without prior notice.				

- ① Concrete Slab
- ② Duracon 108
- ③ Boud Breaker
- ④ Matacryl LM
- ⑤ Matacryl LM manual
- ⑥ Matacryl STC "Primer"
- ⑦ Duracon 215 + SNL
- ⑧ Matacryl STC




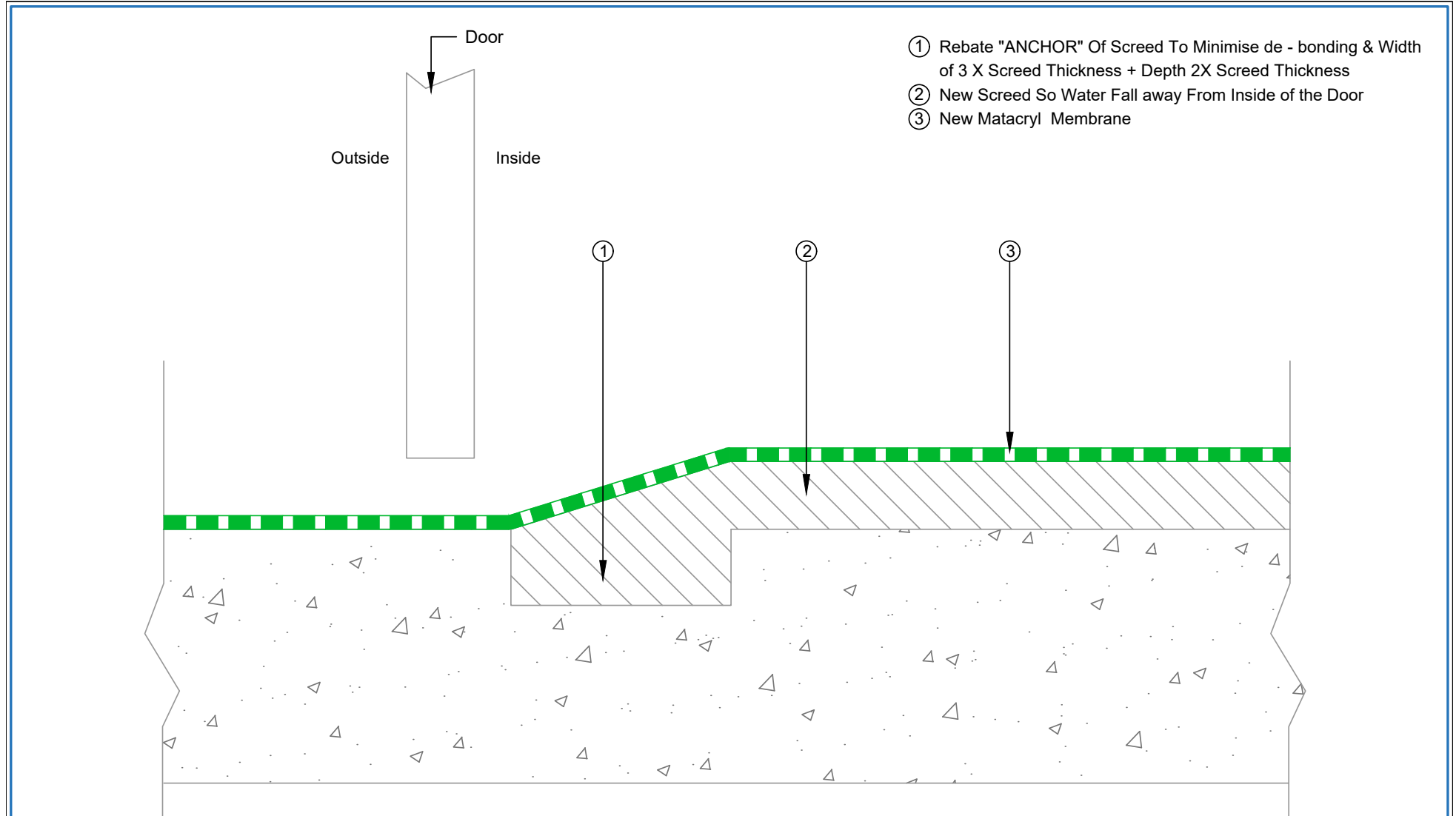
PRODUCT :	Matacryl Waterproofing System on Concrete Substrate		
TITLE :	Crack addressing detail		
NUMBER :	EMC-D8	SCALE :	NTS
DRAWN BY :	NKT	DATE :	09-SEP-2024
<small>Equus standard details are especially drawn for use by Local Authorities, Building Contractors, Equus Applicators, Architects and design professionals. All details are drawn to assist in the development of project-specific details. Details may be modified where necessary to accommodate job-specific requirements but must be approved by Equus Industries Ltd. All components must be supplied by Equus Industries Ltd. Equus reserves the right to alter or upgrade details at any time without prior notice.</small>			






- ① Concrete Slab
- ② New Matacryl System
- ③ Matacryl Angle Fillet
- ④ 8mm X 10mm Chase
- ⑤ Existing Concrete Nib
- ⑥ Existing Wall cladding

 E-mail : <a href="mailto:info@equus.nz">info@equus.nz</a> Web : <a href="http://www.equus.nz">www.equus.nz</a>	PRODUCT :	Matacryl Waterproofing System on Concrete Substrate		
	TITLE :	Stair/lift shaft detail		
	NUMBER :	EMC-D9	SCALE :	NTS
	DRAWN BY :	NKT	DATE :	13-SEP-2024
			REVISED :	
Equus standard details are especially drawn for use by Local Authorities, Building Contractors, Equus Applicators, Architects and design professionals. All details are drawn to assist in the development of project-specific details. Details may be modified where necessary to accommodate job-specific requirements but must be approved by Equus Industries Ltd. All components must be supplied by Equus Industries Ltd. Equus reserves the right to alter or upgrade details at any time without prior notice.				



 E-mail : <a href="mailto:info@equus.nz">info@equus.nz</a> Web : <a href="http://www.equus.nz">www.equus.nz</a>	PRODUCT :	Matacryl Waterproofing System on Concrete Substrate		
	TITLE :	Door Threshold detail		
	NUMBER :	EMC-D11	SCALE :	NTS
	DRAWN BY :	NKT	DATE :	13-SEP-2024
REVISED :				
Equus standard details are especially drawn for use by Local Authorities, Building Contractors, Equus Applicators, Architects and design professionals. All details are drawn to assist in the development of project-specific details. Details may be modified where necessary to accommodate job-specific requirements but must be approved by Equus Industries Ltd. All components must be supplied by Equus Industries Ltd. Equus reserves the right to alter or upgrade details at any time without prior notice.				