



EQUUS CHEVALINE DEXX ROOF & DECK SYSTEM

Standard Details on Plywood Substrate

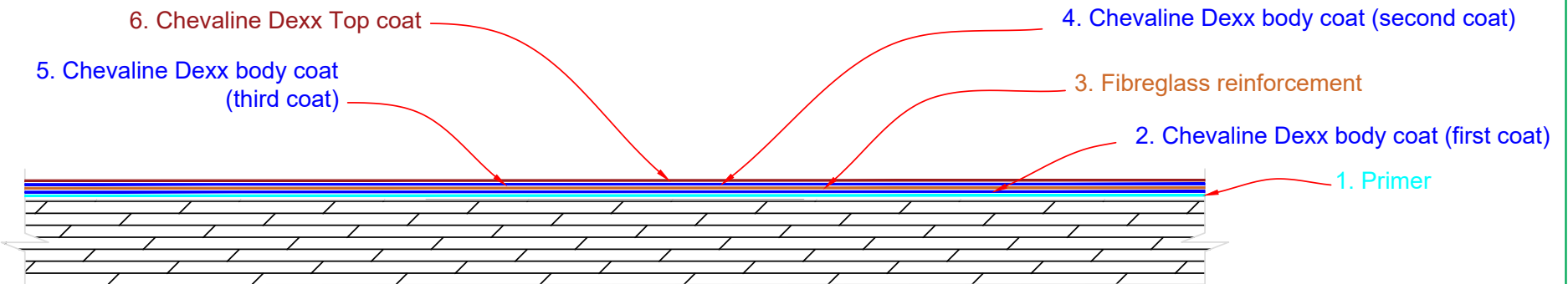


CELEBRATING
40 YEARS
1982-2022

MAY 2023

CONTENTS

DP1.1	Roof Built Up	1
DP1.2	Plinth	2
DP2.1	Typical Gutter	3
DP2.2	Edge Gutter	4
DP2.3	Central Gutter	5
DP2.3	Scupper Outlet	6
DP2.5	Internal Gutter	7
DP3.1	Verge and Eaves	8
DP4.1	Sliding Door Sill	9
DP5.1	Membrane to Profiled Metal Roof	10
DP6.1	Pipe Penetration	11



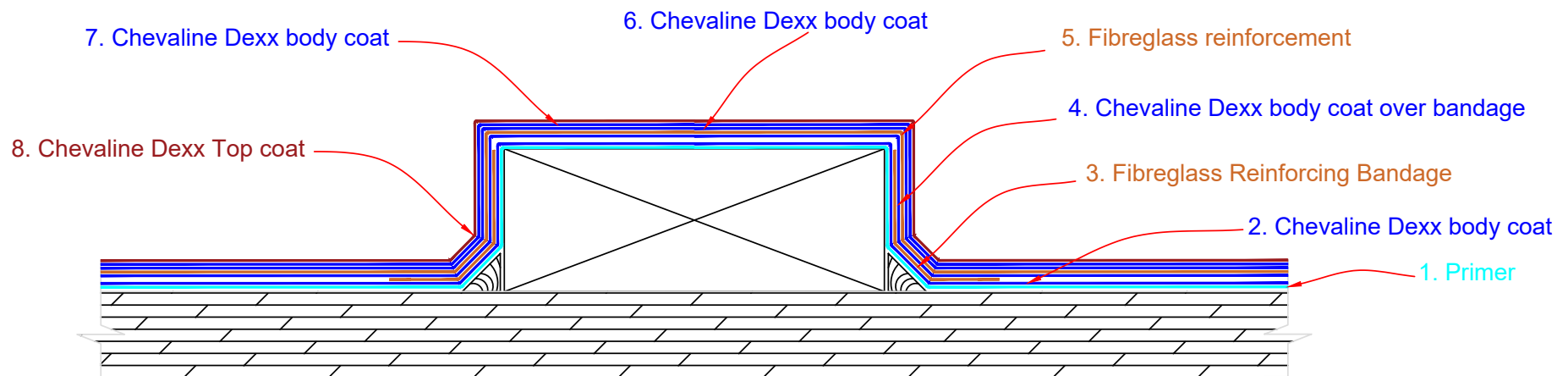
General Notes:

Indicative details shown for purposes of illustration only. Areas which may be prone to stress such as substrate joints, and internal and external corners are to be treated with a double layer of fibreglass mat. This drawing is to be read in conjunction with the New Zealand building code, and NZS 3604 to determine structural framing and deck substrate dimensions, materials, and treatment, and also minimum falls, overlapping and outlet size.

PROJECT:	Chevaline DEXX			
Title:	Chevaline DEXX Build up (Plywood)			
Number:	DP1.1	Scale:	NTS	
Drawn by:	Soulian	Date:	05/08/19	Modified: REV-01
Approved by:	Callum McDougall			Date: 05/08/19
Signature:	Callum McDougall			



email: info@equus.co.nz
website: www.equus.co.nz



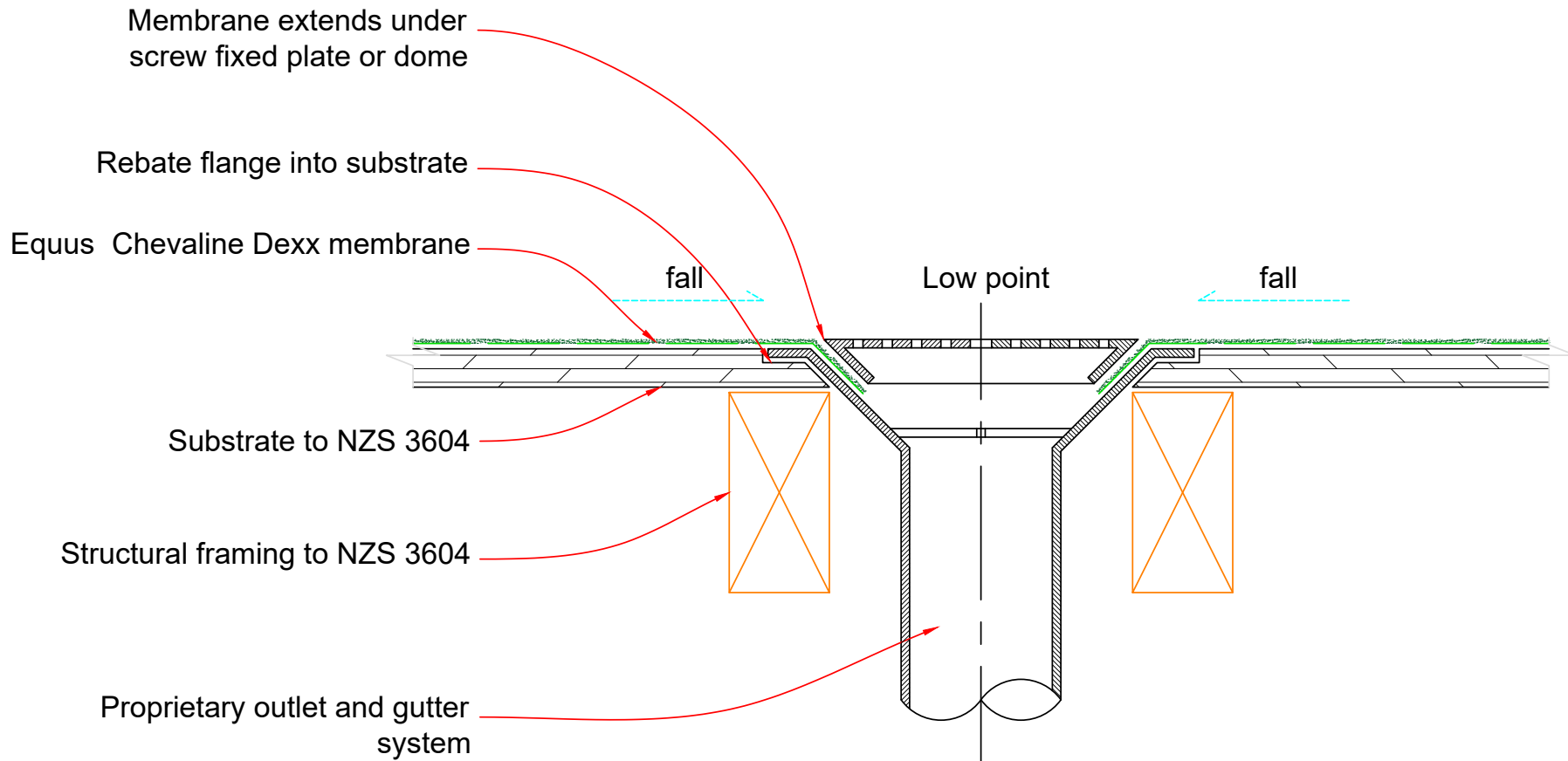
General Notes:

Indicative details shown for purposes of illustration only. Areas which may be prone to stress such as substrate joints, and internal and external corners are to be treated with a double layer of fibreglass mat. This drawing is to be read in conjunction with the New Zealand building code, and NZS 3604 to determine structural framing and deck substrate dimensions, materials, and treatment, and also minimum falls, overlapping and outlet size.

PROJECT:	Chevaline DEXX				
Title:	Plinth Detail (Plywood)				
Number:	DP1.2	Scale:	NTS		
Drawn by:	Soulian	Date:	05/08/19	Modified:	REV-01
Approved by:	Callum McDougall			Date:	05/08/19
Signature:	Callum McDougall				



email: info@equus.co.nz
 website: www.equus.co.nz



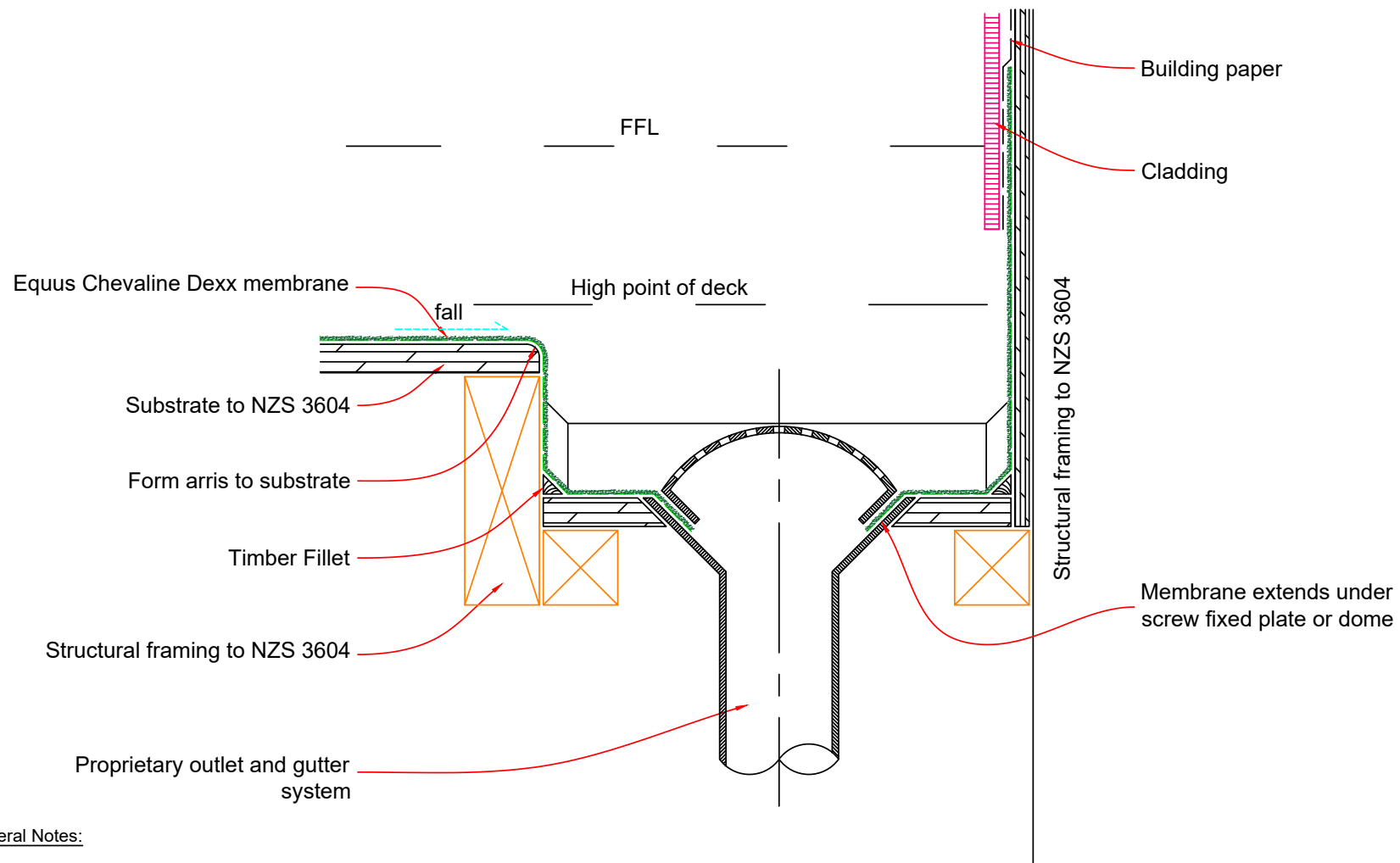
General Notes:

Indicative details shown for purposes of illustration only. Areas which may be prone to stress such as substrate joints, and internal and external corners are to be treated with a double layer of fibreglass mat. This drawing is to be read in conjunction with the New Zealand building code, and NZS 3604 to determine structural framing and deck substrate dimensions, materials, and treatment, and also minimum falls

PROJECT:	Chevaline Dexe		
Title:	Typical Gutter Detail (Plywood)		
Number:	DP2.1	Scale:	NTS
Drawn by:	Soulian	Date:	10/12/17
Approved by:	Callum McDougall	Date:	11/12/17
Signature:	Callum McDougall		



email: info@equus.co.nz
 website: www.equus.co.nz



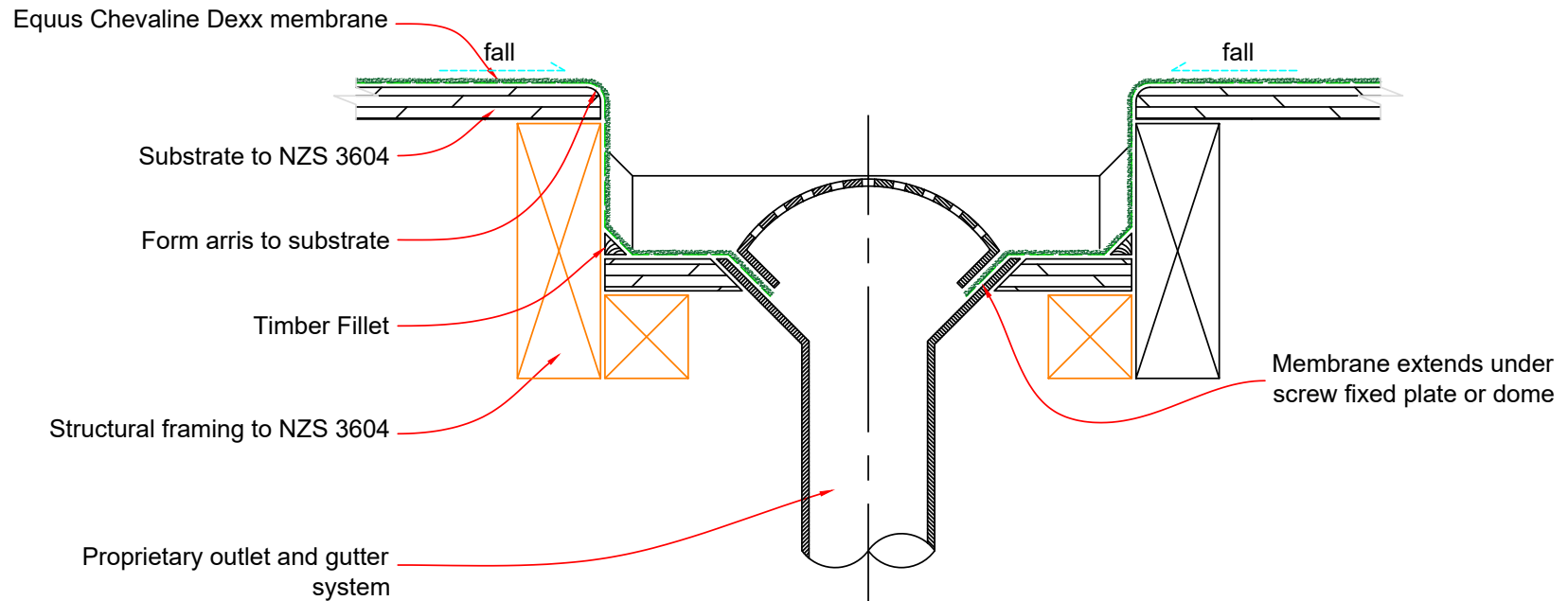
General Notes:

Indicative details shown for purposes of illustration only. Areas which may be prone to stress such as substrate joints, and internal and external corners are to be treated with a double layer of fibreglass mat. This drawing is to be read in conjunction with the New Zealand building code, and NZS 3604 to determine structural framing and deck substrate dimensions, materials, and treatment, and also minimum falls, overlapping, and minimum gutter dimensions.

PROJECT:	Chevaline DEXX		
Title:	Edge Gutter Detail (Plywood)		
Number:	DP2.2	Scale:	NTS
Drawn by:	Soulian	Date:	10/12/17
Approved by:	Callum McDougall	Date:	11/12/17
Signature:	Callum McDougall		



email: info@equus.co.nz
 website: www.equus.co.nz



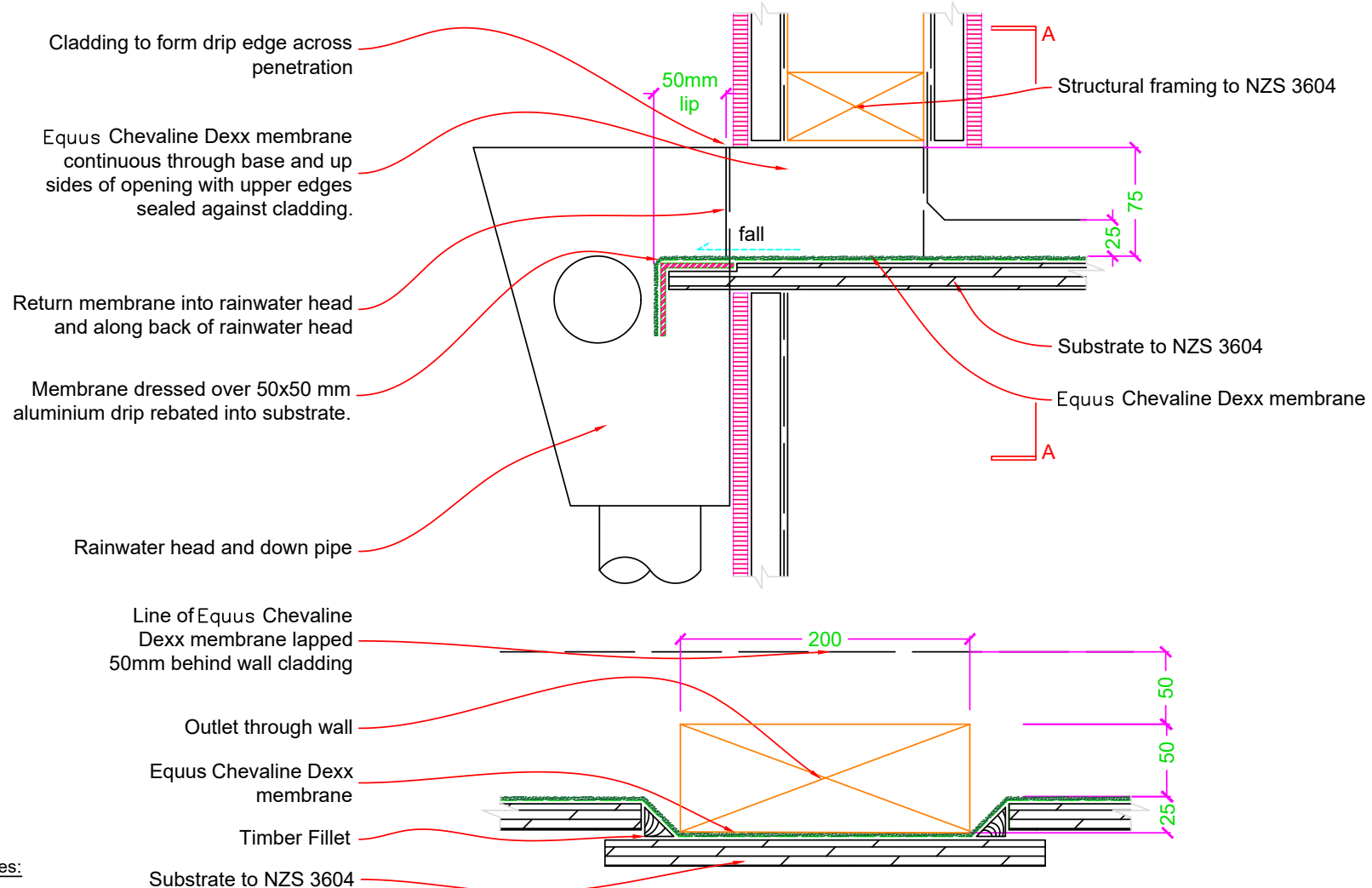
General Notes:

Indicative details shown for purposes of illustration only. Areas which may be prone to stress such as substrate joints, and internal and external corners are to be treated with a double layer of fibreglass mat. This drawing is to be read in conjunction with the New Zealand building code, and NZS 3604 to determine structural framing and deck substrate dimensions, materials, and treatment, and also minimum falls, overlapping, and minimum gutter dimensions.

PROJECT:	Chevaline DEXX			
Title:	Central Gutter Detail (Plywood)			
Number:	DP2.3	Scale:	NTS	
Drawn by:	Soulian	Date:	10/12/17	Modified: REV-01
Approved by:	Callum McDougall			Date: 11/12/17
Signature:	Callum McDougall			



email: info@equus.co.nz
 website: www.equus.co.nz

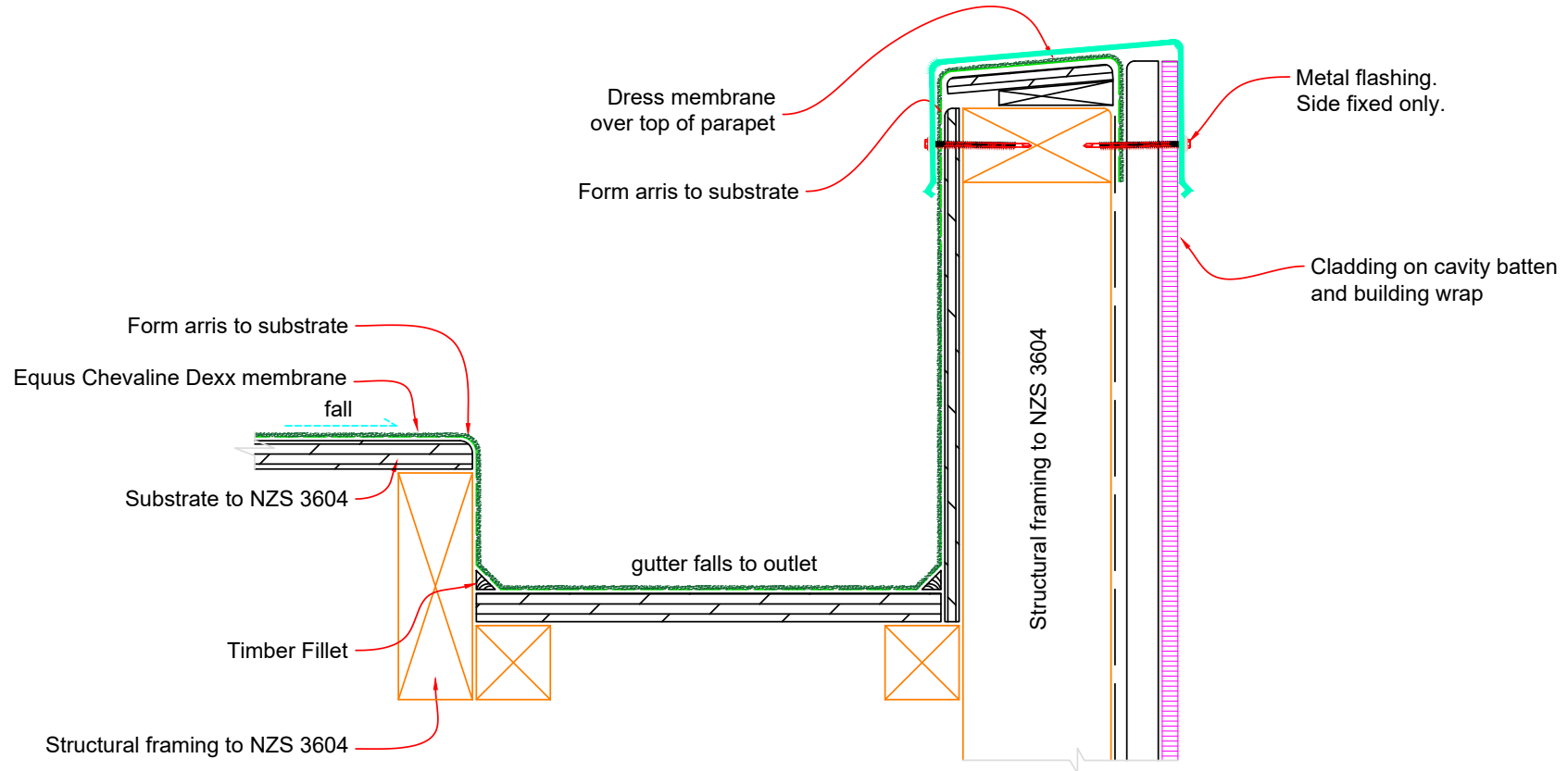


General Notes:

Indicative details shown for purposes of illustration only. Areas which may be prone to stress such as substrate joints, and internal and external corners are to be treated with a double layer of fibreglass mat. This drawing is to be read in conjunction with the New Zealand building code, and NZS 3604 to determine structural framing and deck substrate dimensions, materials, and treatment, and also minimum falls, overlapping and outlet size.

PROJECT:	Chevaline DEXX		
Title:	Scupper Outlet Detail (Plywood)		
Number:	DP2.4	Scale:	NTS
Drawn by:	Soulian	Date:	10/12/17
Approved by:	Callum McDougall	Date:	11/12/17
Signature:	Callum McDougall		


 email: info@equus.co.nz
 website: www.equus.co.nz



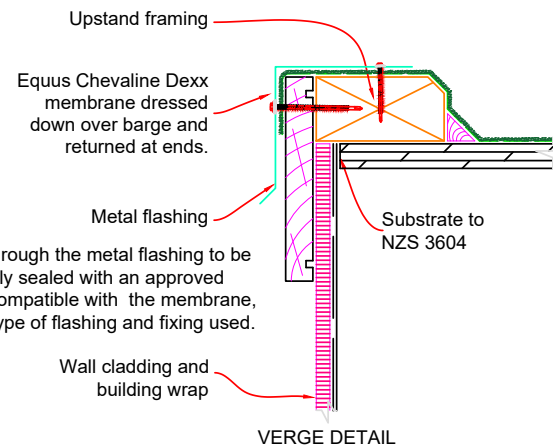
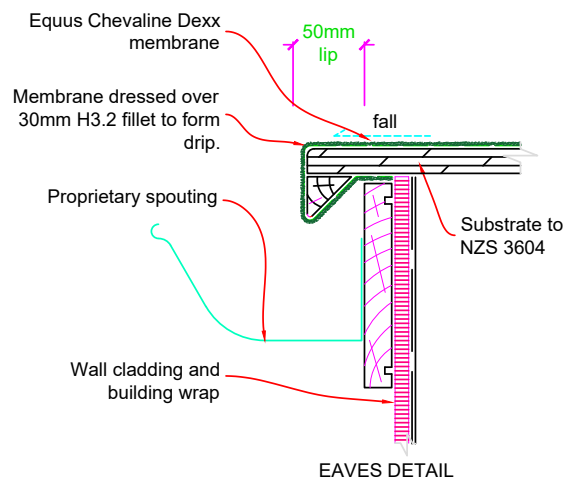
General Notes:

Indicative details shown for purposes of illustration only. Areas which may be prone to stress such as substrate joints, and internal and external corners are to be treated with a double layer of fibreglass mat. This drawing is to be read in conjunction with the New Zealand building code, and NZS 3604 to determine structural framing and deck substrate dimensions, materials, and treatment, and also minimum falls, overlapping, and minimum gutter dimensions.

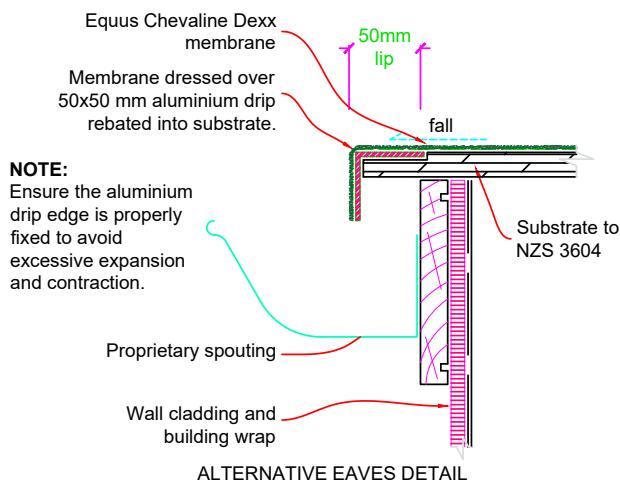
PROJECT:	Chevaline DEXX		
Title:	Internal Gutter Detail (Plywood)		
Number:	DP2.5	Scale:	NTS
Drawn by:	Soulian	Date:	10/12/17
Approved by:	Callum McDougall	Date:	11/12/17
Signature:	Callum McDougall		



email: info@equus.co.nz
 website: www.equus.co.nz



NOTE:
 Fixings through the metal flashing to be individually sealed with an approved sealant compatible with the membrane, and the type of flashing and fixing used.



NOTE:
 Ensure the aluminium drip edge is properly fixed to avoid excessive expansion and contraction.

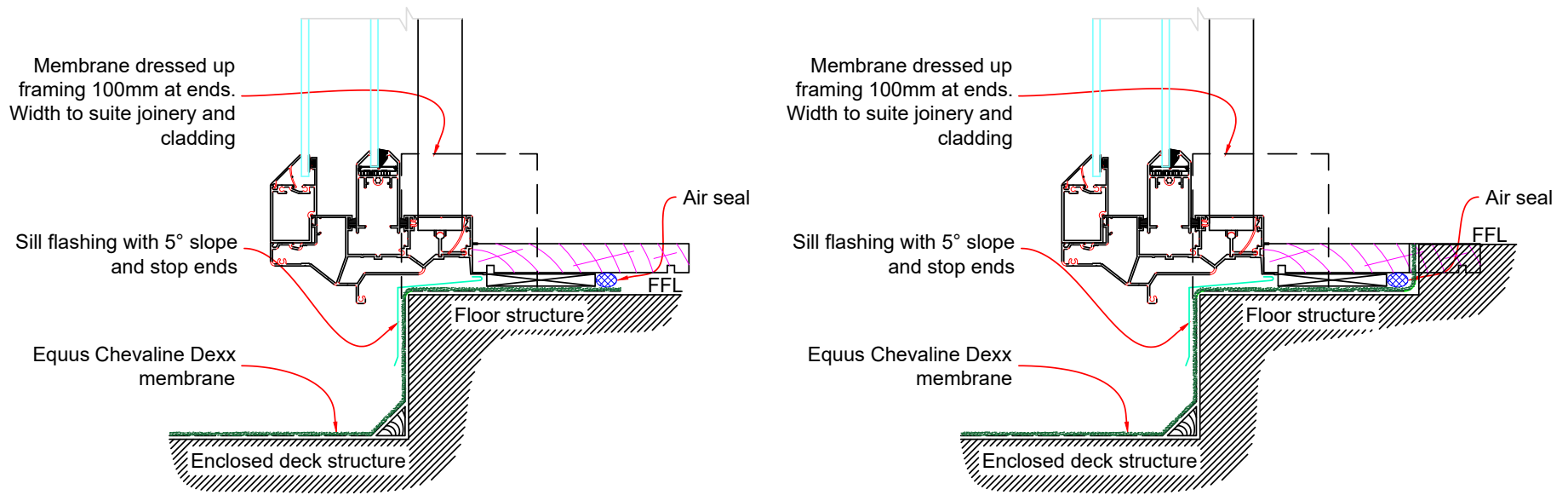
General Notes:

Indicative details shown for purposes of illustration only. Areas which may be prone to stress such as substrate joints, and internal and external corners are to be treated with a double layer of fibreglass mat. This drawing is to be read in conjunction with the New Zealand building code, and NZS 3604 to determine structural framing and substrate dimensions, materials, and treatment, and also minimum falls, overlapping and spouting size.

PROJECT:	Chevaline Dexx			
Title:	Verge and Eaves Details (Plywood)			
Number:	DP3.1	Scale:	NTS	
Drawn by:	Soulian	Date:	10/12/17	Modified: REV-01
Approved by:	Callum McDougall			Date: 11/12/17
Signature:	Callum McDougall			



email: info@equus.co.nz
 website: www.equus.co.nz



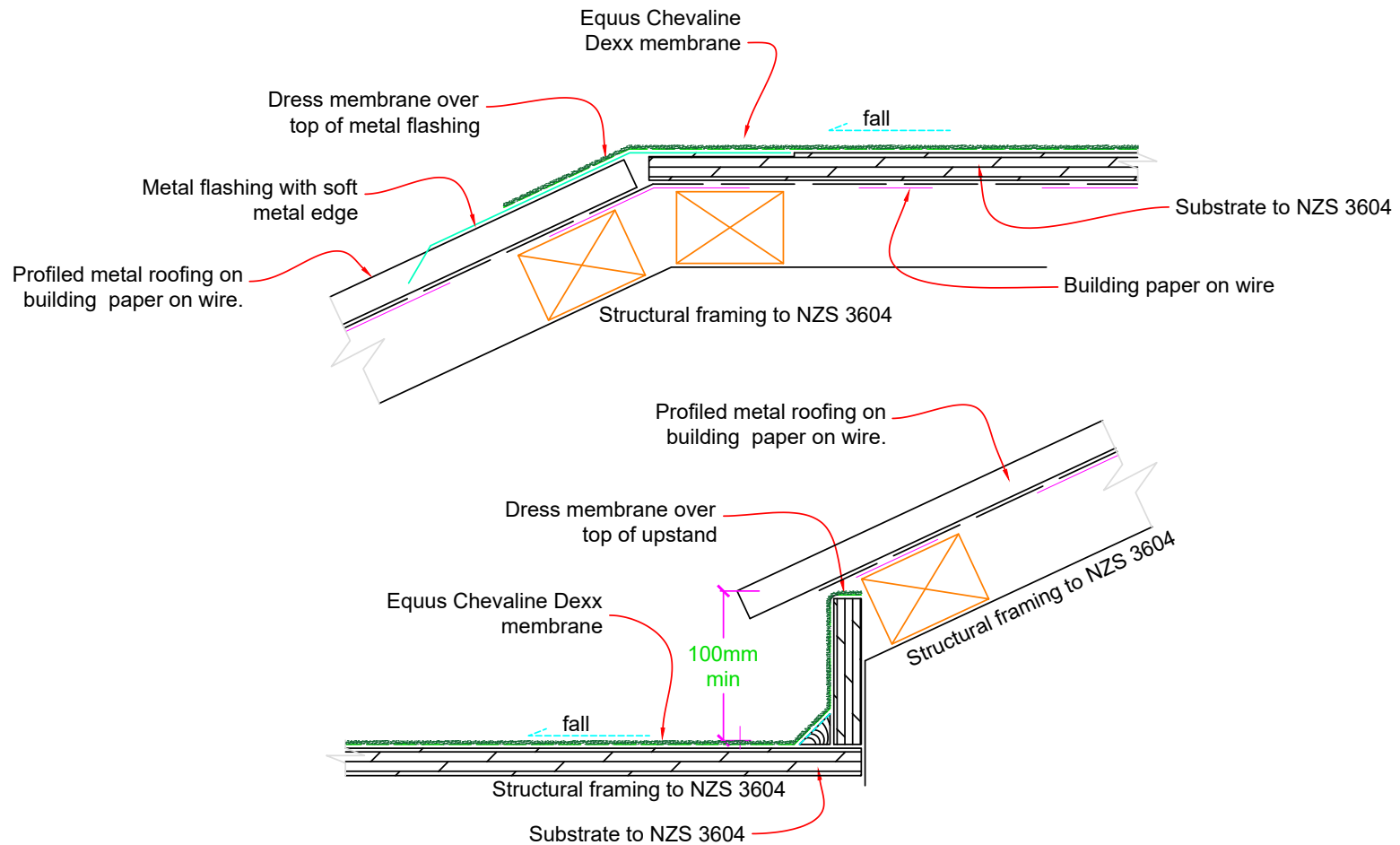
General Notes:

Indicative details shown for purposes of illustration only. Areas which may be prone to stress such as substrate joints, and internal and external corners are to be treated with a double layer of fibreglass mat. This drawing is to be read in conjunction with the New Zealand building code, and NZS 3604 to determine structural framing and substrate dimensions, materials, and treatment, and also minimum step down between floor and deck levels.

PROJECT:	Chevaline Dexx			
Title:	Sliding Door Sill Detail (Plywood)			
Number:	DP4.1	Scale:	NTS	
Drawn by:	Soulian	Date:	10/12/17	Modified: REV-01
Approved by:	Callum McDougall			Date: 11/12/17
Signature:	Callum McDougall			



email: info@equus.co.nz
 website: www.equus.co.nz



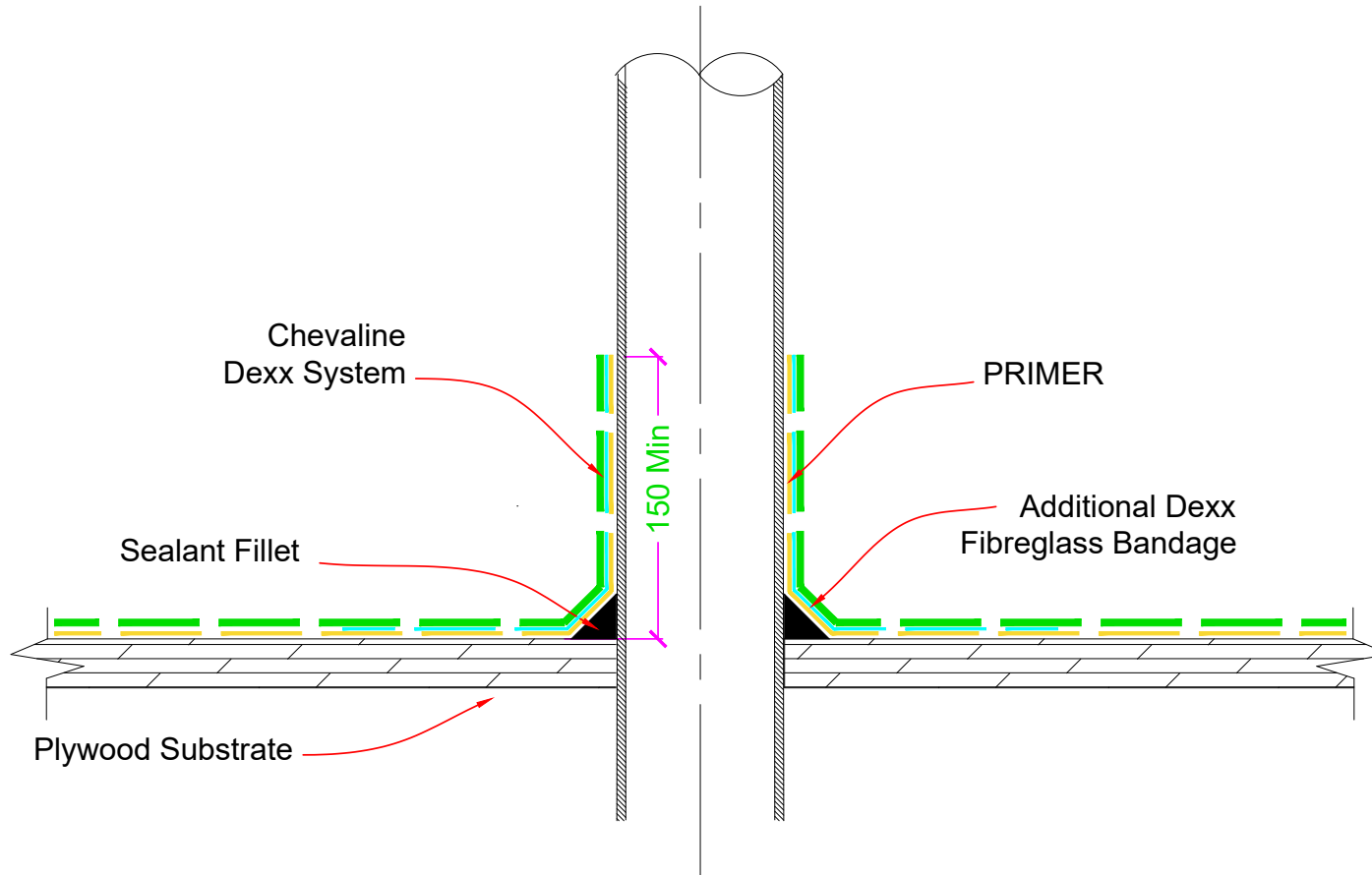
General Notes:

Indicative details shown for purposes of illustration only. Areas which may be prone to stress such as substrate joints, and internal and external corners are to be treated with a double layer of fibreglass mat. This drawing is to be read in conjunction with the New Zealand building code, and NZS 3604 to determine structural framing and substrate dimensions, materials, and treatment, and also minimum falls.

PROJECT:	Chevaline DEXX			
Title:	Membrane to Profiled Metal Roof Detail (Plywood)			
Number:	DP5.1	Scale:	NTS	
Drawn by:	Soulian	Date:	10/12/17	Modified: REV-01
Approved by:	Callum McDougall			Date: 11/12/17
Signature:	Callum McDougall			



email: info@equus.co.nz
 website: www.equus.co.nz



General Notes:

Indicative details shown for purposes of illustration only. Areas which may be prone to stress such as substrate joints, and internal and external corners are to be treated with a double layer of fibreglass mat. This drawing is to be read in conjunction with the New Zealand building code, and NZS 3604 to determine structural framing and deck substrate dimensions, materials, and treatment, and also minimum falls

PROJECT:	Chevaline DEXX				
Title:	Pipe Penetration Detail (Plywood)				
Number:	DP6.1	Scale:	NTS		
Drawn by:	Soulian	Date:	24/05/19	Modified:	REV-02
Approved by:	Callum McDougall			Date:	24/05/19
Signature:	Callum McDougall				



email: info@equus.co.nz
 website: www.equus.co.nz