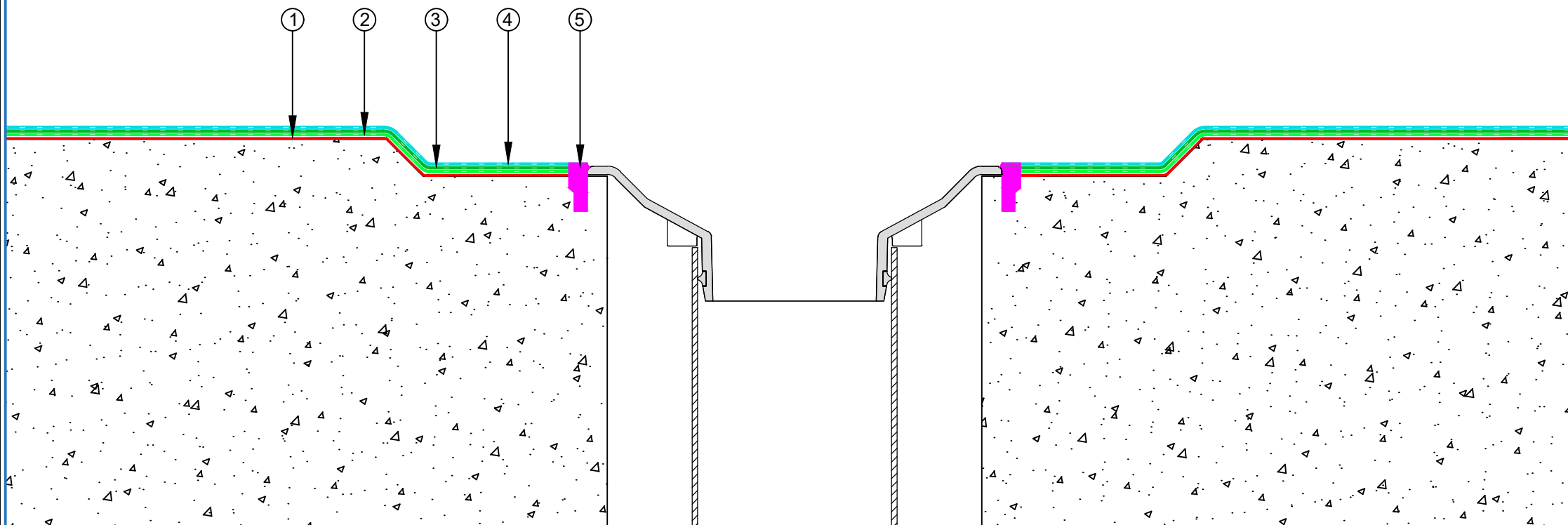


- ① EQUUS Chevaline Epistixx primer
- ② EQUUS Traxx SL
- ③ EQUUS Traxx SL
- ④ EQUUS Traxx 2 KFG NS or other approved Topcoat (optional)
- ⑤ EQUUS Dymonic 100 sealant



E-mail : info@equus.nz
 Web : www.equus.nz

PRODUCT :	Traxx SL Flooring on Concrete Substrate Standard Detail		
TITLE :	Floor drain detail		
NUMBER :	ETSL-D2	SCALE :	NTS
DRAWN BY :	NKT	DATE :	15-Mar-2024
		REVISED :	

Equus standard details are especially drawn for use by Local Authorities, Building Contractors, Equus Applicators, Architects and design professionals. All details are drawn to assist in the development of project-specific details. Details may be modified where necessary to accommodate job-specific requirements but must be approved by Equus Industries Ltd. All components must be supplied by Equus Industries Ltd. Equus reserves the right to alter or upgrade details at any time without prior notice.