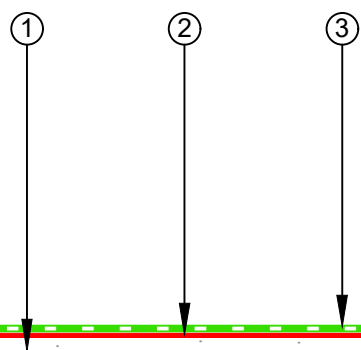
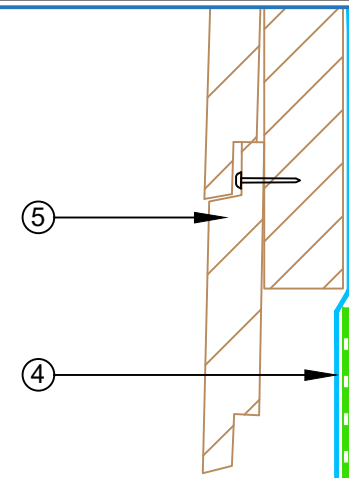


- ① Concrete Deck
- ② EQUUS Approved adhesive for TPO single ply waterproofing membrane
- ③ EQUUS FLAGON TPO single ply waterproofing membrane
- ④ Cladding underlay by others
- ⑤ Cladding by others



| | | | | | |
|---|---|--------|-------------|-----------|-----|
| PROJECT : | Single ply cold roof system on concrete Standard Detail - TPO | | | | |
| TITLE : | Concrete upstand with Cladding detail | | | | |
| NUMBER : | STCRC-D1a | | | SCALE : | 1:2 |
| DRAWN BY : | NKT | DATE : | 23-Feb-2023 | REVISED : | |
| <p>Equus Waterproof Membrane Details are specially drawn for use by Local Authorities, Building Contractors, Equus Applicators, Architects and design professionals. All details are drawn to assist in the development of project specific details. Details may be modified where necessary to accommodate job specific requirements but must be approved by Equus Industries Ltd. All components must be supplied by Equus Industries Ltd. Equus reserves the right to alter or upgrade details at any time without prior notice.</p> | | | | | |

