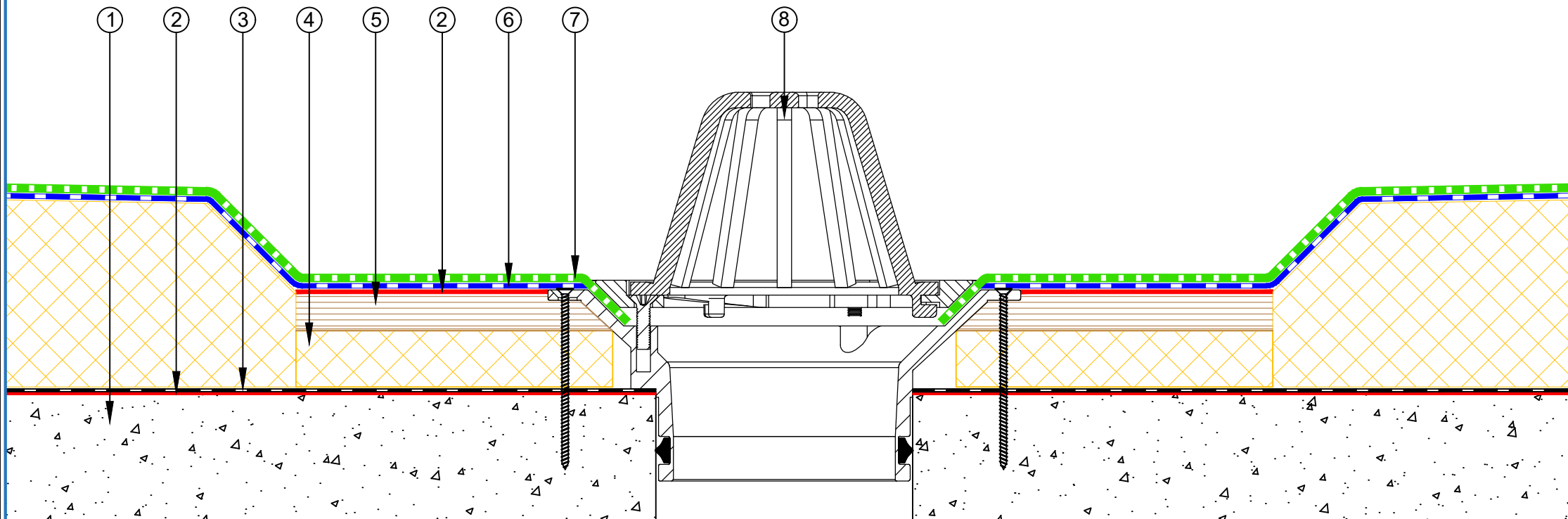


- ① Concrete Roof Slab laid to Fall
- ② EQUUS SOPRADERE QUICK primer
- ③ EQUUS Colphene 3000 Vapour Barrier
- ④ EQUUS PIR thermal insulation
- ⑤ Plywood
- ⑥ EQUUS SOPRASUN PLUS 3 base sheet
- ⑦ EQUUS SOPRASUN PLUS MINERAL cap sheet
- ⑧ Allproof dome clamp ring drain 168.80DCR



E-mail : admin@equus.co.nz
 Web : www.equus.co.nz

PROJECT :	Warm Roof on Concrete Standard Detail - SOPRASUN		
TITLE :	Allproof dome clamp ring drain 168.80DCR		
NUMBER :	SSWRC-D3c	SCALE :	NTS
DRAWN BY :	NKT	DATE :	31-Aug-2022
		REVISED :	

Equus Waterproof Membrane Details are specially drawn for use by Local Authorities, Building Contractors, Equus Applicators, Architects and design professionals. All details are drawn to assist in the development of project specific details. Details may be modified where necessary to accommodate job specific requirements but must be approved by Equus Industries Ltd. All components must be supplied by Equus Industries Ltd. Equus reserves the right to alter or upgrade details at any time without prior notice.

