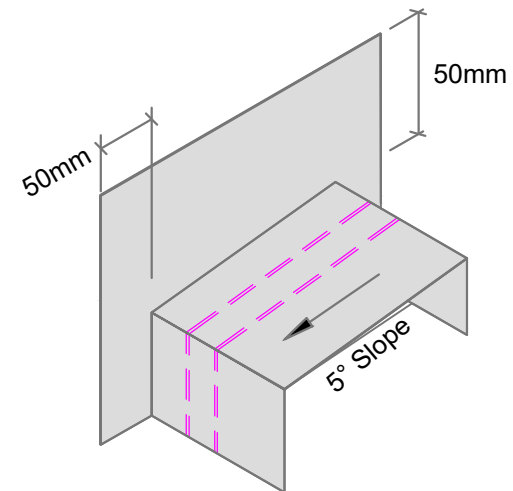


- ① EQUUS SOPRADERE QUICK primer
- ② EQUUS SOPRASUN PLUS 3 base sheet
- ③ EQUUS SOPRASUN PLUS MINERAL cap sheet
- ④ Wall Underlay behind cavity, Finish over waterproofing membrane
- ⑤ Saddle Flashing over cavity batten, directly behind cladding
- ⑥ EQUUS SOPRASEAL Sealant Bead x 2 for Parapet Cap
- ⑦ Cladding to seal to saddle flashing
- ⑧ Metal Cap flashing to seal to saddle flashing



E-mail : admin@equus.co.nz
 Web : www.equus.co.nz

PROJECT :	Cold Roof on Plywood Standard Detail - SOPRASUN				
TITLE :	Saddle Flashing Detail				
NUMBER :	SSCRP-D24a			SCALE :	NTS
DRAWN BY :	NKT	DATE :	27-Feb-2023	REVISED :	

Equus Waterproof Membrane Details are specially drawn for use by Local Authorities, Building Contractors, Equus Applicators, Architects and design professionals. All details are drawn to assist in the development of project specific details. Details may be modified where necessary to accommodate job specific requirements but must be approved by Equus Industries Ltd. All components must be supplied by Equus Industries Ltd. Equus reserves the right to alter or upgrade details at any time without prior notice.

