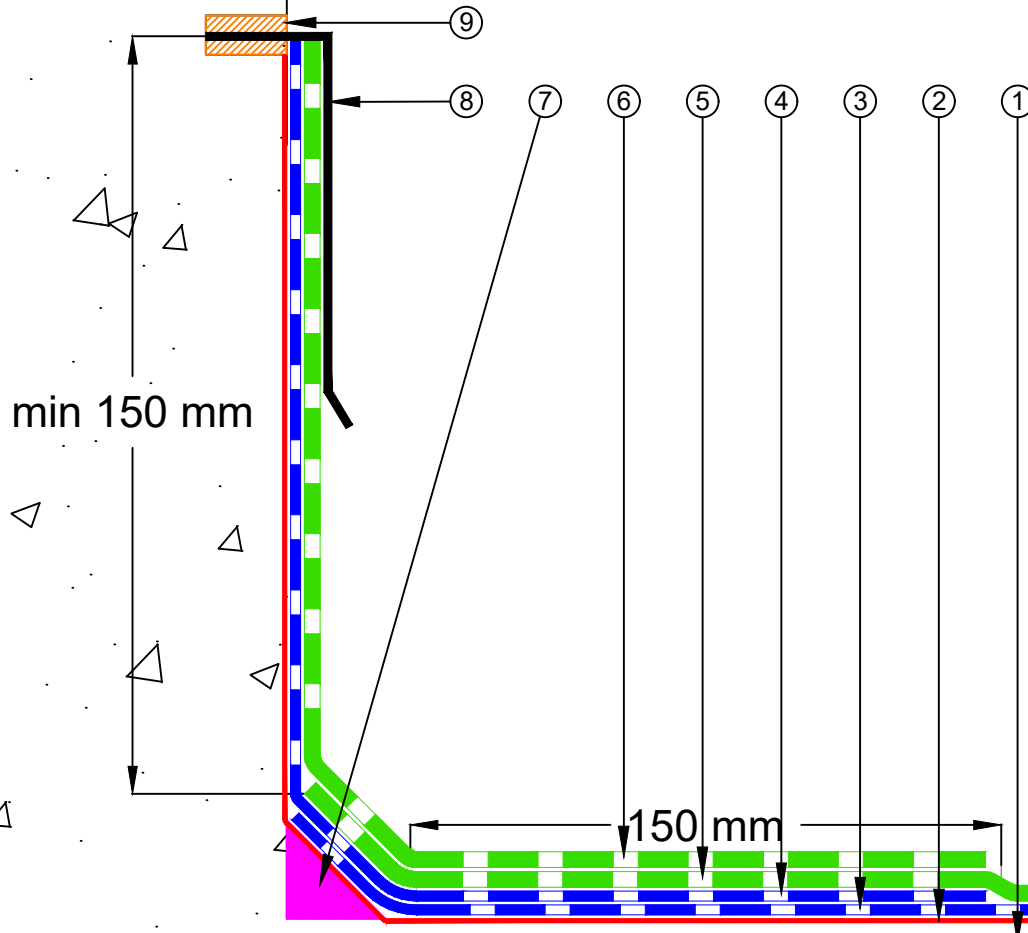


- ① Concrete Roof Slab laid to Fall
- ② EQUUS SOPRADERE QUICK primer
- ③ EQUUS SOPRASUN PLUS 3 base sheet
- ④ EQUUS base sheet, dressed to Parapet as separate piece
- ⑤ EQUUS SOPRASUN PLUS MINERAL cap sheet
- ⑥ EQUUS cap sheet, dressed to Parapet as separate piece
- ⑦ EQUUS bitumen fillet or approved alternative
- ⑧ Overflashing
- ⑨ EQUUS Alsan Mastic 2200 bitumen sealant



PROJECT :	Cold Roof on Concrete Standard Detail			
TITLE :	Parapet with over flashing termination			
NUMBER :	SSCRC-D1e	SCALE :	1:2	
DRAWN BY :	NKT	DATE :	22-July-2022	REVISED :

Equus Waterproof Membrane Details are specially drawn for use by Local Authorities, Building Contractors, Equus Applicators, Architects and design professionals. All details are drawn to assist in the development of project specific details. Details may be modified where necessary to accommodate job specific requirements but must be approved by Equus Industries Ltd. All components must be supplied by Equus Industries Ltd. Equus reserves the right to alter or upgrade details at any time without prior notice.

