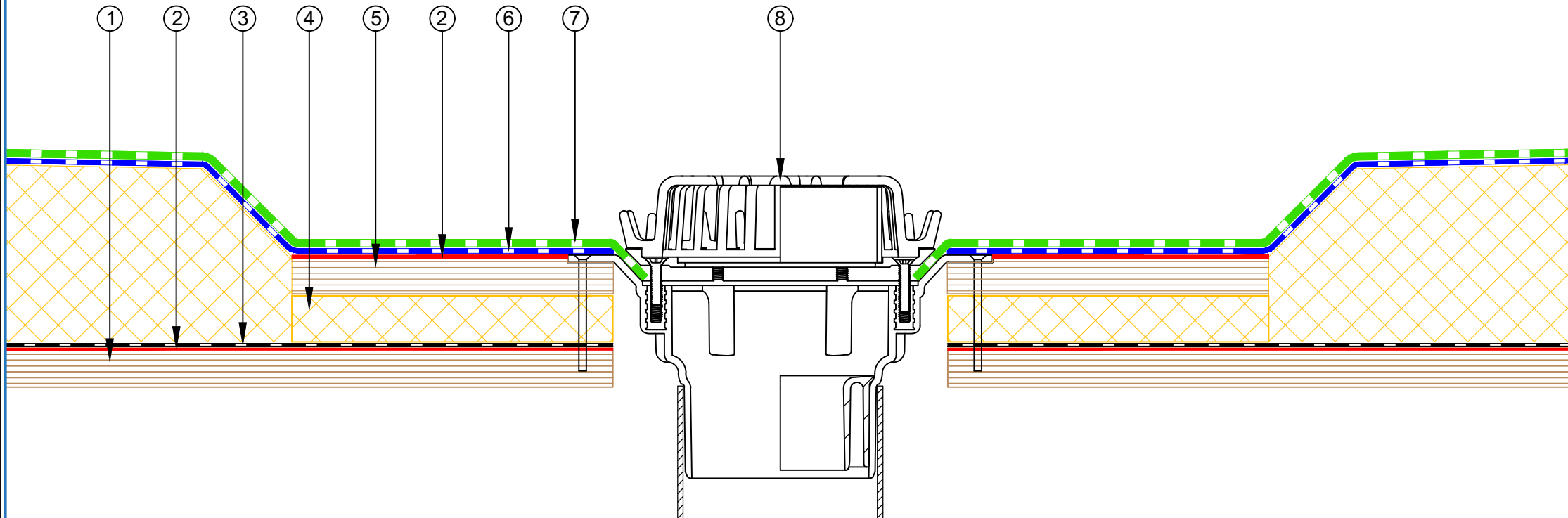


- ① Plywood Deck
- ② EQUUS SOPRADERE QUICK primer
- ③ EQUUS Colphene 3000 Vapour Barrier
- ④ EQUUS PIR thermal insulation
- ⑤ Plywood
- ⑥ EQUUS NOVA-SK base sheet
- ⑦ EQUUS NOVA-SK MINERAL cap sheet
- ⑧ Aquaknight HiFlow roof drain



E-mail : admin@equus.nz
 Web : www.equus.nz

PROJECT :	Warm Roof on Plywood Standard Detail - NOVAGLASS				
TITLE :	Aquaknight HiFlow roof drain				
NUMBER :	SNWRP-D3b			SCALE :	1 : 3
DRAWN BY :	NKT	DATE :	23-NOV-2022	REVISED :	

Equus Waterproof Membrane Details are specially drawn for use by Local Authorities, Building Contractors, Equus Applicators, Architects and design professionals. All details are drawn to assist in the development of project specific details. Details may be modified where necessary to accommodate job specific requirements but must be approved by Equus Industries Ltd. All components must be supplied by Equus Industries Ltd. Equus reserves the right to alter or upgrade details at any time without prior notice.

