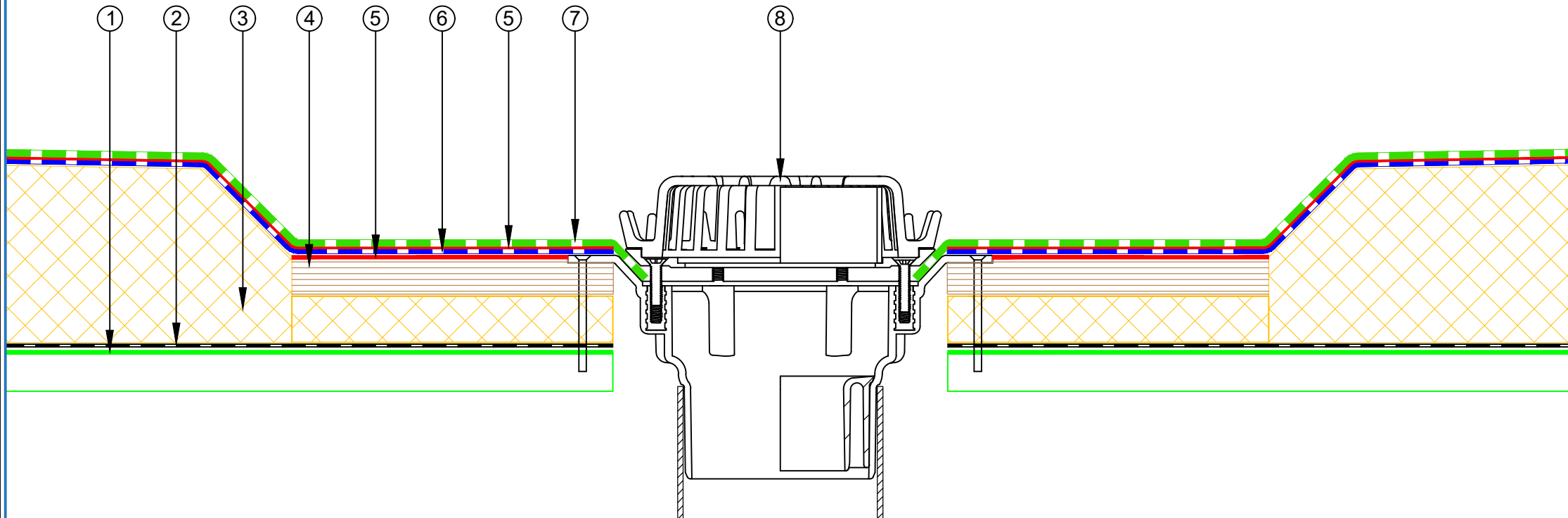


- ① Metal Roof Deck
- ② EQUUS Colphene 3000 Vapour Barrier
- ③ EQUUS PIR thermal insulation
- ④ Plywood
- ⑤ EQUUS Peel & Stick primer
- ⑥ EQUUS NOVA-SK base sheet (self-adhered)
- ⑦ EQUUS NOVA-SK MINERAL cap sheet (self-adhered)
- ⑧ Aquaknight HiFlow roof drain



PROJECT :	Warm Roof on Metal Standard Detail - NOVA-SK FLAMELSS SYSTEM			
TITLE :	Aquaknight HiFlow roof drain			
NUMBER :	SNWRMs-D3b	SCALE :	NTS	
DRAWN BY :	NKT	DATE :	30-Aug-2024	REVISED :

Equus Waterproof Membrane Details are specially drawn for use by Local Authorities, Building Contractors, Equus Applicators, Architects and design professionals. All details are drawn to assist in the development of project specific details. Details may be modified where necessary to accommodate job specific requirements but must be approved by Equus Industries Ltd. All components must be supplied by Equus Industries Ltd. Equus reserves the right to alter or upgrade details at any time without prior notice.

