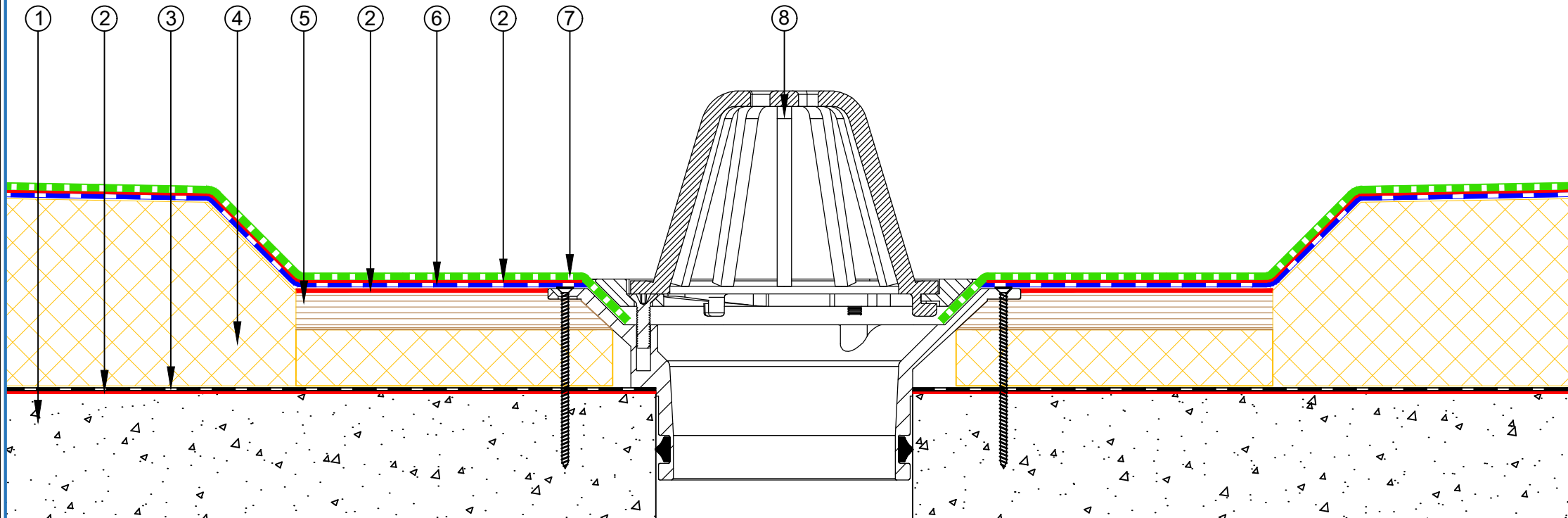


- ① Concrete Roof Slab laid to Fall
- ② EQUUS Peel & Stick primer
- ③ EQUUS Colphene 3000 Vapour Barrier
- ④ EQUUS PIR thermal insulation
- ⑤ Plywood
- ⑥ EQUUS NOVA-SK base sheet (self-adhered)
- ⑦ EQUUS NOVA-SK MINERAL cap sheet (self-adhered)
- ⑧ Allproof dome clamp ring drain 168.80DCR



E-mail : info@equus.nz
 Web : www.equus.co.nz

PROJECT : Warm Roof on Concrete Standard Detail - NOVA-SK FLAMELESS SYSTEM

TITLE : Allproof dome clamp ring drain 168.80DCR

NUMBER : SNWRCs-D3c

SCALE : NTS

DRAWN BY : NKT DATE : 28-Aug-2024

REVISED :

Equus Waterproof Membrane Details are specially drawn for use by Local Authorities, Building Contractors, Equus Applicators, Architects and design professionals. All details are drawn to assist in the development of project specific details. Details may be modified where necessary to accommodate job specific requirements but must be approved by Equus Industries Ltd. All components must be supplied by Equus Industries Ltd. Equus reserves the right to alter or upgrade details at any time without prior notice.

