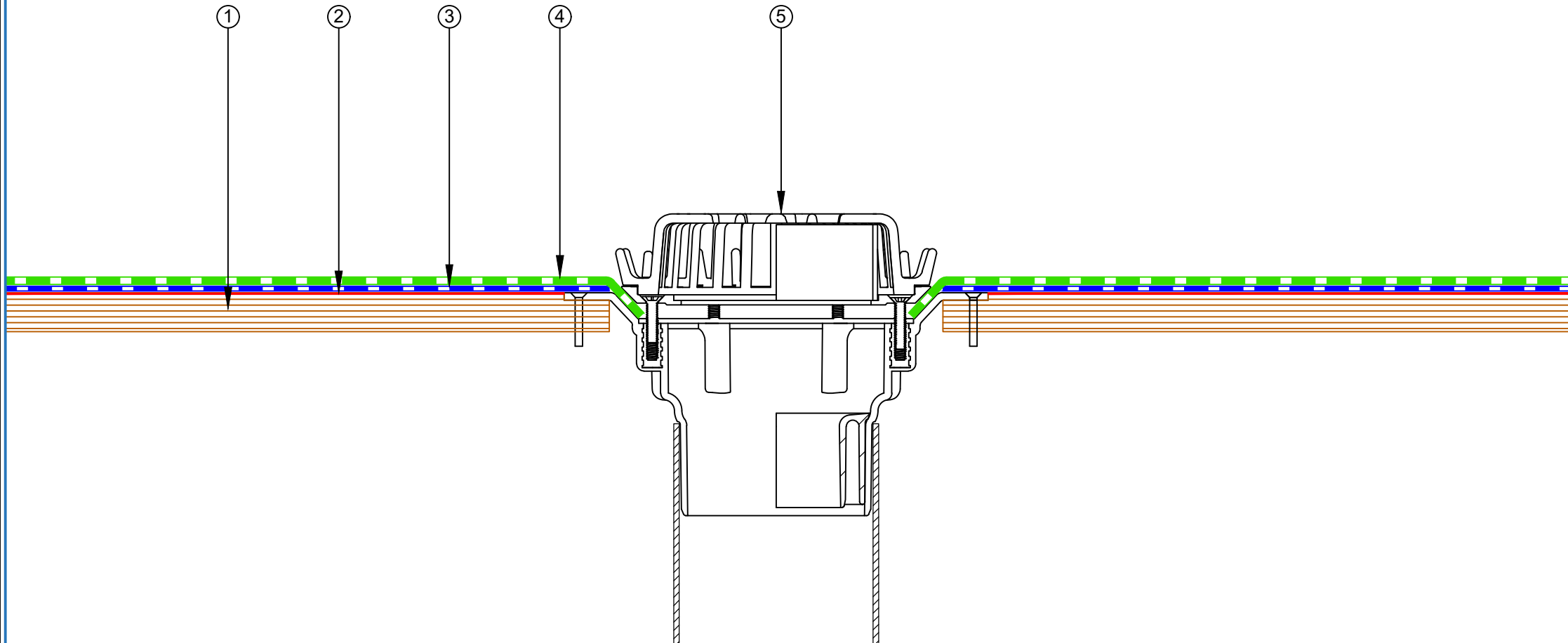


- ① Plywood Deck
- ② EQUUS Peel & Stick primer
- ③ EQUUS NOVA-SK base sheet (self-adhered)
- ④ EQUUS NOVA-SK MINERAL cap sheet
- ⑤ Aquaknight HiFlow roof drain



|            |                                      |        |             |           |     |
|------------|--------------------------------------|--------|-------------|-----------|-----|
| PROJECT :  | Cold Roof on Plywood Standard Detail |        |             |           |     |
| TITLE :    | Aquaknight HiFlow roof drain         |        |             |           |     |
| NUMBER :   | SNCRP-D2b                            |        |             | SCALE :   | 1:3 |
| DRAWN BY : | NKT                                  | DATE : | 09-Dec-2021 | REVISED : |     |

Equus Waterproof Membrane Details are specially drawn for use by Local Authorities, Building Contractors, Equus Applicators, Architects and design professionals. All details are drawn to assist in the development of project specific details. Details may be modified where necessary to accommodate job specific requirements but must be approved by Equus Industries Ltd. All components must be supplied by Equus Industries Ltd. Equus reserves the right to alter or upgrade details at any time without prior notice.



E-mail : [admin@equus.co.nz](mailto:admin@equus.co.nz)  
 Web : [www.equus.co.nz](http://www.equus.co.nz)

