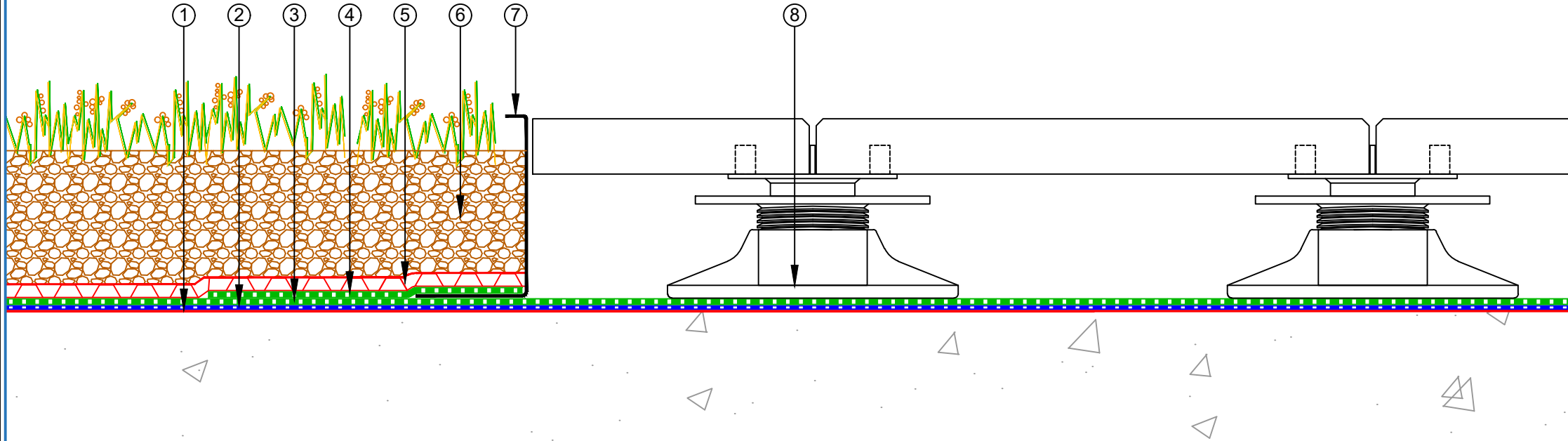


- ① EQUUS SOPREMA Sopradere Quick primer
- ② EQUUS SOPREMA DeboFlex 2.5 T/F C175, base sheet (Fully bonded, torch-on)
- ③ EQUUS SOPREMA DuO HT 4 WGG/F C180 Firecare Landscape, cap sheet (Fully bonded, torch-on)
- ④ EQUUS SOPREMA cap sheet as seprate piece over the Metal grating / Gravel guard
- ⑤ EQUUS SOPREMA Sopradrain 10G or Danodren H15, drainage and protection layer
- ⑥ Green Roof substrate and vegetation
- ⑦ Metal grating, Gravel guard
- ⑧ EQUUS FixPlus adjustable pedestal supports



E-mail : info@equus.nz
 Web : www.equus.co.nz

PROJECT :	EQUUS SOPREMA Cold Green Roof Standard on Concrete		
TITLE :	Pedestal supports to Green roof edge detail		
NUMBER :	SDCGC-D9a	SCALE :	NTS
DRAWN BY :	NKT	DATE :	29-Dec-2023
		REVISED :	

Equus Waterproof Membrane Details are specially drawn for use by Local Authorities, Building Contractors, Equus Applicators, Architects and design professionals. All details are drawn to assist in the development of project specific details. Details may be modified where necessary to accomodate job specific requirements but must be approved by Equus Industries Ltd. All components must be supplied by Equus Industries Ltd. Equus reserves the right to alter or upgrade details at any time without prior notice.

