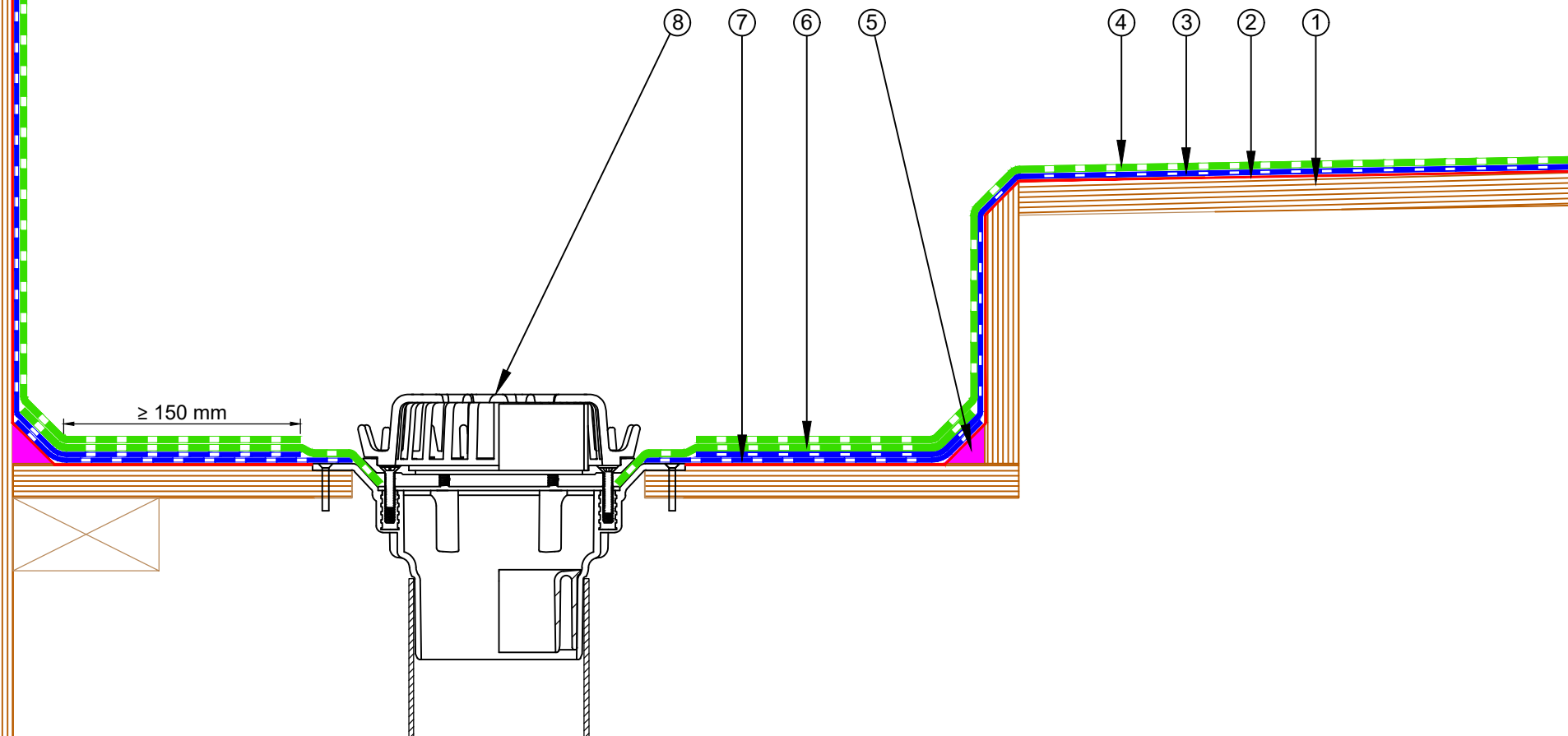


- ① Plywood Deck
- ② EQUUS Sopradere Quick or Aquadere bitumen primer
- ③ EQUUS DeboPlast, DeboFlex or Debotack 2.5 T/F C175 base sheet
- ④ EQUUS DuO High Tech 4 Slates/F C180 Firecare cap sheet
- ⑤ EQUUS bitumen fillet or approved alternative
- ⑥ EQUUS Base Sheet, as separate piece connected to Drainage
- ⑦ EQUUS Cap Sheet, as separate piece connected to Drainage
- ⑧ Aquaknight HiFlow roof drain



PROJECT :	Cold Roof on Plywood Standard Detail		
TITLE :	Internal Gutter and parapet - Aquaknight HiFlow roof drain		
NUMBER :	SDCRP-D3b	SCALE :	1:4
DRAWN BY :	NKT	DATE :	09-Dec-2021
		REVISED :	

Equus Waterproof Membrane Details are specially drawn for use by Local Authorities, Building Contractors, Equus Applicators, Architects and design professionals. All details are drawn to assist in the development of project specific details. Details may be modified where necessary to accommodate job specific requirements but must be approved by Equus Industries Ltd. All components must be supplied by Equus Industries Ltd. Equus reserves the right to alter or upgrade details at any time without prior notice.

